



**FLUE KITS &
COMPONENTS
2021 PRICE LIST**



Easy Ordering

Online & Email

Email : info@sfp.co.nz

Website : www.sfp.co.nz

We're Online!

Did you know that all of our products are online for ordering and information

Just enter the product codes in this price guide in the search bar to get browsing!



Sales and Enquiries

Phone : (09) 274 4421

Factory Address: 26 Stonedon Drive
East Tamaki

Price list effective from 1 April 2021

Things You Need To Know

PRICE LIST

- Goods ordered from this price list are subject to the terms and conditions contained in our standard terms and conditions in force at the time of making of your order.
- All prices are correct at the time of publication of this price list. We reserve the right however to change the prices listed in this document without notice.
- We recommend that at the time of making an order you confirm with our sales staff that the goods are available, and the price stated on the price list is still the correct price in respect of the product in question.
- All wholesale prices are exclusive of GST and freight costs.
- Retail prices shown are suggested retail prices only and inclusive of GST.

PRODUCT RETURNS

- SFP reserve the right to deduct freight costs plus a restocking and repacking fee on all returned goods incorrectly ordered.
- Goods cannot be returned if they have been custom-made.
- Please contact us before returning any goods.

FREIGHT CLAIMS

- All claims for damages and short deliveries must be made on receipt of goods and must be signed for as damaged or short landed.
- Damaged or short delivery must be noted on all copies of the freight consignment note at time of delivery, while delivery driver is still there.
- Signed for "subject to inspection" is not acceptable and will void the possibility of lodging a claim if damage or short supply is found at a later time.
- Any damage or short delivery once noted on the consignment note must be reported immediately to SFP by email, with a copy of the consignment and photos of damage or details of the missing good(s).

TERMS AND CONDITIONS OF SALE

1. Consumer Guarantees Act 1993

- 1.1 Nothing in these Conditions of Sale and Service shall restrict, negate, modify or limit any of your rights under the Consumer Guarantees Act 1993 where:
 - 1.1.2 The goods you are acquiring are of a kind ordinarily acquired for personal, domestic or household use or consumption; and
 - 1.1.3 You are not acquiring the goods for a business purpose.

2. Acceptance of Orders

- 2.1 We, SFP (2017) Ltd, will only supply you, the customer, with goods on these terms unless we have agreed in writing to different terms.

3. Price

- 3.1 The price of the goods:
 - 3.1.1 Will be our current prices at the date of delivery unless we have quoted a firm price;
 - 3.1.2 Always exclude GST, unless otherwise stated, and the amount of such tax shall be added to the price of the goods; and
 - 3.1.3 Does not include the cost of delivering the goods to you.
 - 3.1.4 May be increased if we incur higher freight, insurance, import charges or higher foreign exchange costs after the order is placed, or if we incur extra costs because you did not provide us with information or licenses by the time we required.
 - 3.1.5 When we have quoted a firm price and no period of effectiveness is given, then the price will only apply for 90 days from the date of the quote.

4. Payment

- 4.1 You must pay us the price by the 20th of the month following the date of our invoice, unless otherwise agreed. If you do not, we will be entitled to:
 - 4.1.1 Defer supplying you with any more goods;
 - 4.1.2 Charge you penalty interest on the amount owing to us at the rate stated in our statement and/or invoice from the time the payment was due;
 - 4.1.3 Treat the contract as having been cancelled by you;
- 4.2 You agree to indemnify us for all costs and expenses (including costs and expenses) we may incur as a consequence of your failure to pay the purchase price in accordance with this clause 4.0.
- 4.3 If we reasonably believe that you will not pay any monies to us for any reason, then we may demand from you:
 - 4.3.1 Payment in full of any monies owing to us;
 - 4.3.2 That you provide us with adequate collateral to secure the payment of all monies owing to us before we commence, or continue to manufacture and/or deliver goods to you.
 - 4.3.3 We may in our discretion apply any payments we receive from you towards any indebtedness you may have with us. We are bound by any conditions or qualifications that you may make in relation to any payments made to us.

5. Title and Risk

- 5.1 Goods are at your risk as soon as they have been delivered to you. For the purposes of this clause 5.0 and clause 6.0 delivery shall be deemed to have taken place once:
 - a) when we have accepted your order; and
 - b) when the goods are on our premises; and
 - c) when the goods are set aside for sending to you; and
 - d) when either transit arrangements have been made for the goods, or the goods are ready for collection.
- 5.2 We remain the owners of the goods we supply you until you have paid in full all amounts that you owe to us for all the goods we have supplied to you.
- 5.3 While we are the owners of the goods:
 - 5.3.1 You will always keep the good clearly identified as our property;
 - 5.3.2 We will still own the goods even if you repackage them;
 - 5.3.3 If you mix the goods with other material, we will own the mixture that equals the proportion that the cost of our goods bears to the total cost of the materials comprising the mixture;
 - 5.3.4 You may sell the goods only if you keep enough of the sales proceeds to pay us for the goods in a separate bank account in trust for us;
 - 5.3.5 You license us to enter any of your premises during normal business hours to repossess the goods while you owe us money. You cannot revoke this license.

- 5.3.6 The fact that we own the goods will not affect our right to sue you for the price if you do not pay us on time. We have no obligation to accept returned goods instead of being paid for them. We have no obligation to do anything to limit any loss we might suffer if you do not pay us on time.

6. Delivery

- 6.1 We will, at your cost, freight the goods to you by whatever method and route we consider to be the most expedient. The cost of the freight will be shown separately on our invoice.
- 6.2 Where you require us to freight the goods to you urgently, we reserve the right to charge you for any additional freighting expenses incurred.
- 6.3 If you have specified a delivery date, we will try and deliver the goods by that date, however:
 - 6.3.1 We will be entitled to deliver the goods to you after the agreed delivery date or cancel the contract without being liable to you in respect of causes outside our control;
 - 6.3.2 We may deliver the goods to you by instalments in any quantities and each delivery will be a separate contract independent from the other deliveries.
- 6.4 If you do not specify a reasonable time for delivery of the goods, and we have not accepted any such time specified for delivery, we will not be liable to you for late delivery of the goods in any circumstances.
- 6.5 You may not refuse to accept delivery of goods where we have agreed in writing.

7. Exclusions and Limitations to our Liability

- 7.1 Subject to clause 1 of the Conditions, where we are permitted by law, we exclude or contract out of all warranties other than those expressly stated in these terms and conditions.
- 7.2 We will not be bound any representations that we make unless they are writing.
- 7.3 We give all technical advice or assistance entirely at your risk.
- 7.4 We warrant only that the goods comply with our specifications where we are the manufacturer or that they comply with the manufacturer's specifications where we are not the manufacturer.
- 7.5 All descriptions of the goods are to only enable their identification and does not mean that the sale of the goods is a sale by description.
- 7.6 We will not be liable to you for any direct, indirect or consequential loss in respect of the goods, or for any delay or failure to supply the goods except where it is due to our gross negligence or wilful default. However our liability to you in that instance is limited to the amount that we may receive from the manufacturer if we are not the manufacturer or to the sale price of the goods where we are the manufacturer.
- 7.7 We will not be liable to you for any direct, indirect or consequential loss in respect of the goods as a consequence of improper installation, maintenance, accident, neglect, misuse or operation of the goods beyond their rated company.

8. Claims

- 8.1 We will at our own option replace or give a credit to you for any goods which contain a manufacturing defect if:
 - 8.1.1 You advise us of your claim within 30 days of such a defect becoming apparent in the goods, quoting the despatch number and/or invoice number where appropriate.
 - 8.1.2 Your claim identifies the manufacturing defect, and the nature of your claim.
 - 8.1.3 You obtain our consent to the return of the goods, prior to returning the goods to us.
 - 8.1.4 The goods are returned to us in the same condition they were received by you.
 - 8.1.5 You will pay for the cost of returning the goods.
 - 8.1.6 You will pay our handling fee.
- 8.2 If you dispute any item or amount contained in any invoice, you must advise us or such a claim within 30 days after receipt of that invoice. If you fail to give us such notice you will be deemed to have accepted the contents of the respective invoice.

9. Indemnity

- 9.1 Where you acquire the goods for the purpose of resupplying them to a customer other than yourself, then it is agreed that you will contract out of the application of the Consumer Act Guarantees Act 1993 within the contract for the resupply of the goods, where you are reselling the goods to a business.

- 9.2 If you fail to contract out of the Consumer Guarantees Act 1993 in accordance with clause 9.1 above then you will indemnify us for any damage or expenses that we may incur as a result of any claim being brought against us by a customer who purchases the goods from you, which would have been otherwise barred has you contracted out of the Consumer Guarantees Act 1993.
- 9.3 You will indemnify us for any liability that we may incur which arises as a consequence of representations made by you about any of the goods which are made otherwise than in accordance with our express specification and warranties which accompany the product.
- 9.4 You will indemnify us for any liability that we may incur which arises as a consequence of any claim by your customers, servants, agents, or any other person in respect of any loss, damage or injury incurred as a consequence of any defect in the goods.

10. Return of Goods

- 10.1 We will only be liable to you for shortfalls, losses, damage or failure to meet specifications where you have notified us of those matters within 7 days of taking delivery.
- 10.2 Goods which do not meet your order may not be returned to us unless:
 - 10.2.1 We have agreed in writing that they may be returned
 - 10.2.2 You have not had the goods for more than 7 days
 - 10.2.3 You will pay for the cost of returning the goods
 - 10.2.4 You will pay our handling fee
- 10.2.5 The goods are still of a fit and merchantable quality, and the goods and the packaging are not soiled or damaged.

11. Quotes

- 11.1 Where these terms and conditions form part of a written quote, the quote shall only remain valid for 30 days from the date of the making of the quote; and may be withdrawn by us at any time prior to the quote being accepted by you.
- 11.2 You must give us notice in writing of your acceptance of any quote we may give you.

12. Goods for Sale Only in New Zealand

- 12.1 You may only sell or use the goods in New Zealand and must not allow them to be exported without our prior written agreement.

13. Intellectual Property

- 13.1 All our trademarks or other intellectual property rights in respect of the goods remain our property and you may not use, remove, interfere with or alter them in any way.
- 13.2 We make no representation that the goods will not infringe the intellectual property rights of any other person and will not be liable for any costs that you may incur as a result. You will notify us immediately if you receive a claim from a person alleging that it is the owner of any intellectual property rights relating to the goods and if we consider ourselves to be affected, we shall be entitled to completely control the defence or settlement of the claim.
- 13.3 You will indemnify us against all damages, losses and liabilities we may incur as a consequence of any work which we shall undertake in accordance with your instructions of your customer which infringe, or allegedly infringe any third parties intellectual rights.

14. Assignment

- 14.1 You may not assign your rights to delegate your performance under this agreement without our consent in writing.

15. Proper Law

- 15.1 These conditions shall be interpreted and governed by the law of New Zealand.

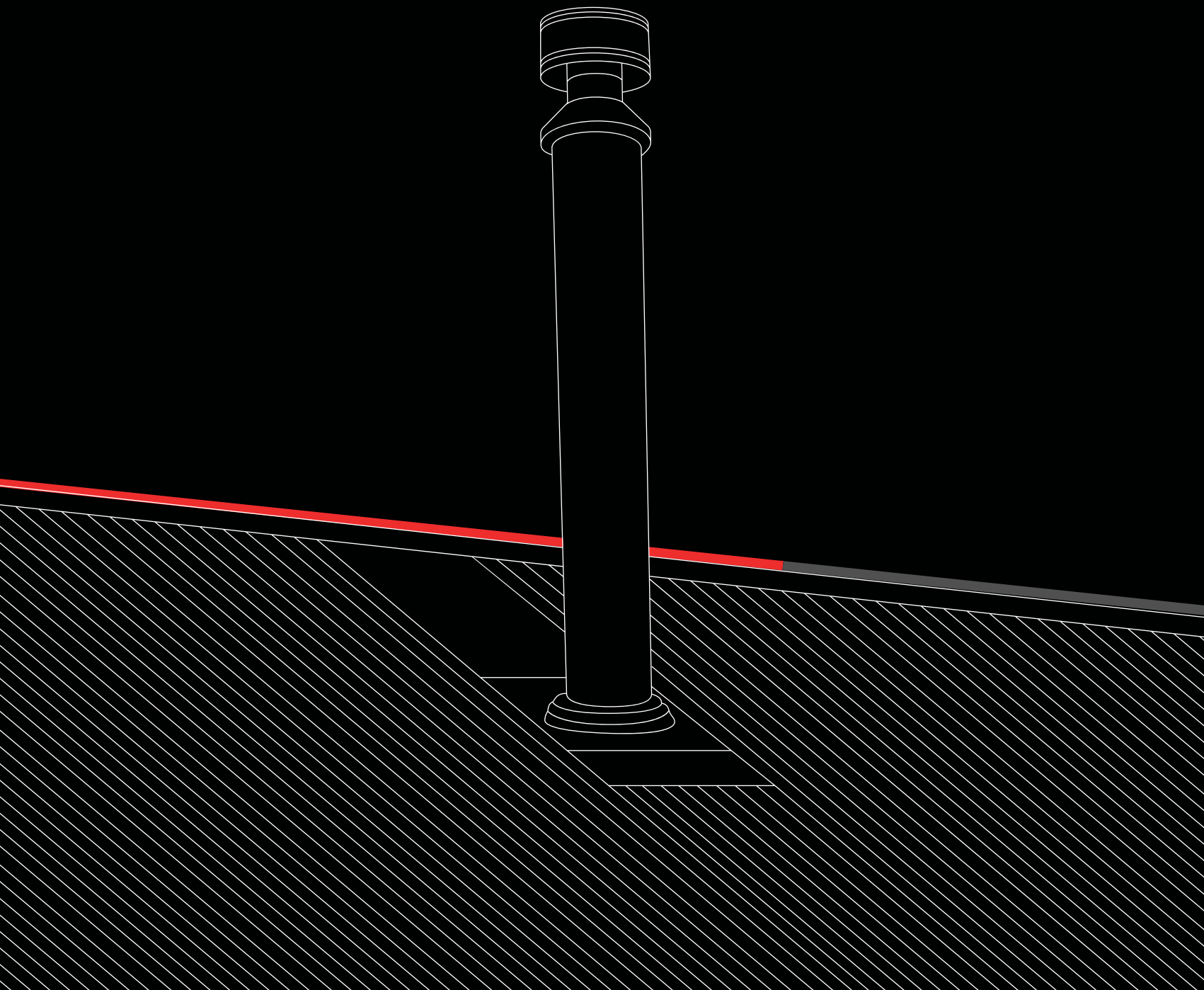
16. Arbitration

- 16.1 We may refer any disputes between us to an arbitrator who shall be a person appointed by the President of the New Zealand Chamber of Commerce.

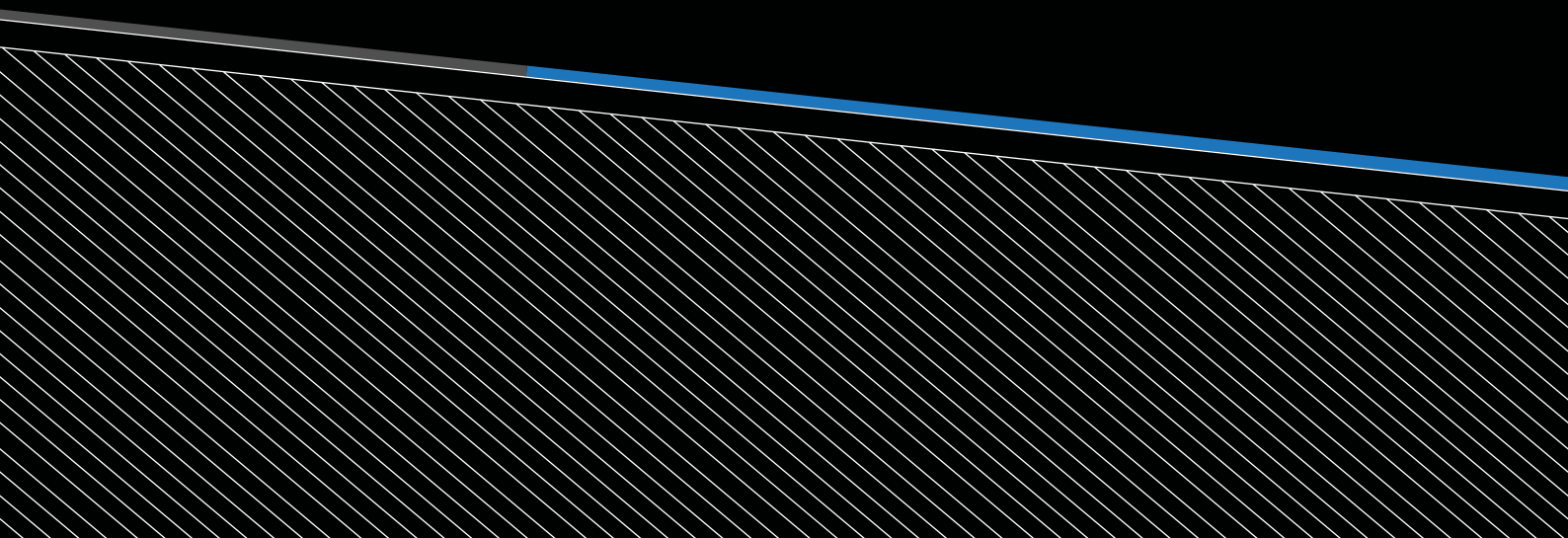
17. Waiver

- 17.1 In the event that either of us fail to perform an obligation under these Conditions of Sale and Service, and the non-defaulting party does not elect to enforce that obligation, then the non-defaulting party's inaction shall not prevent that party from enforcing that obligation at a later date, and does not constitute a waiver of any of the terms and conditions contained in these Conditions by the non-defaulting party.





**CLASS
IS JUST
ROUND
THE
CORNER**

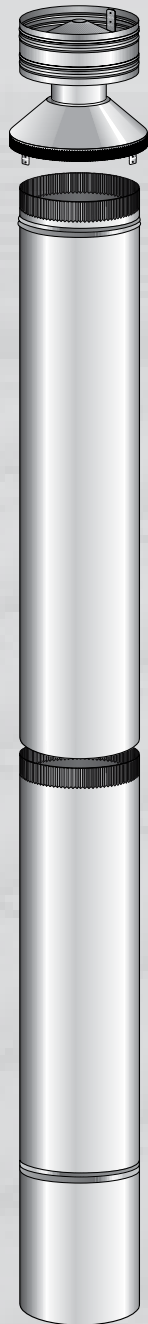


Architectural brilliance with ColorSteel®



Galvanized Steel

Our classic Galv setup. Great back then, still great now.



304 Stainless Steel

Our stainless steel options are great for coastal requirements. Available in both 304 and 316



316 Stainless Steel



Copper

For a high-end industrial finish, Copper is now available.

SFP is proud to introduce our new range of Roof Penetration options. Alongside the long-standing Galvanised Steel and Stainless Steel setups, we are now offering a coloured option to suit your clients aesthetic requirements.

Adding ColorSteel®, ColorCote® and Euramax to our range of outer casings and slip extensions offers you more possibilities for a visually tempting option to extend to your clients with the ease of ordering through SFP.

We will be stocking the colours below, with each full range available with a lead time.



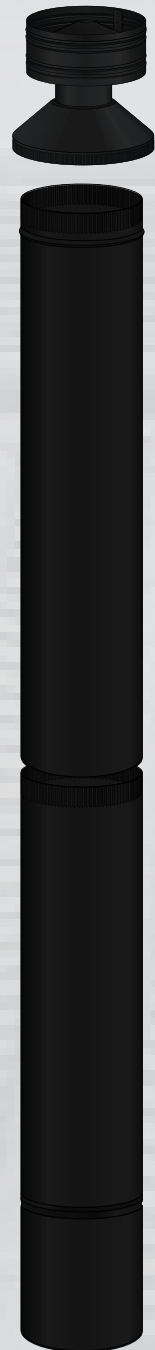
ColorSteel® GreyFriars



ColorSteel® IronSand



ColorSteel® Flaxpod



ColorSteel® Ebony



Anti Down Draught Cows

Combination Cowl

316 Stainless Steel

Copper Wrapped

HiTherm® Metallic Black

150mm - 250mm Combination Cowl

Comb. Outer Casing with Slip

Combination Outer Casing with Slip (1200mm long)

316 Stainless Steel

Copper

ColorSteel® GreyFriars

ColorSteel® IronSand

ColorSteel® Flaxpod

ColorSteel® Ebony

250mm x 1200mm Combination Outer Casing with Slip Extension to suit.

Woodfire Free Standing Flue Kits

Flue Kit 3.6 metre (1200 Kit) contains:

- 3 x 1200mm lengths Flue Pipe
- 1 x 1200mm length Outer/Inner Casing Combination
- 1 x Anti Down-Draught Cowl
- 1 x Casing Cover
- 1 x Top Spacer Bracket
- 1 x Ceiling Plate
- 1 x Pkt Screws & Spacers

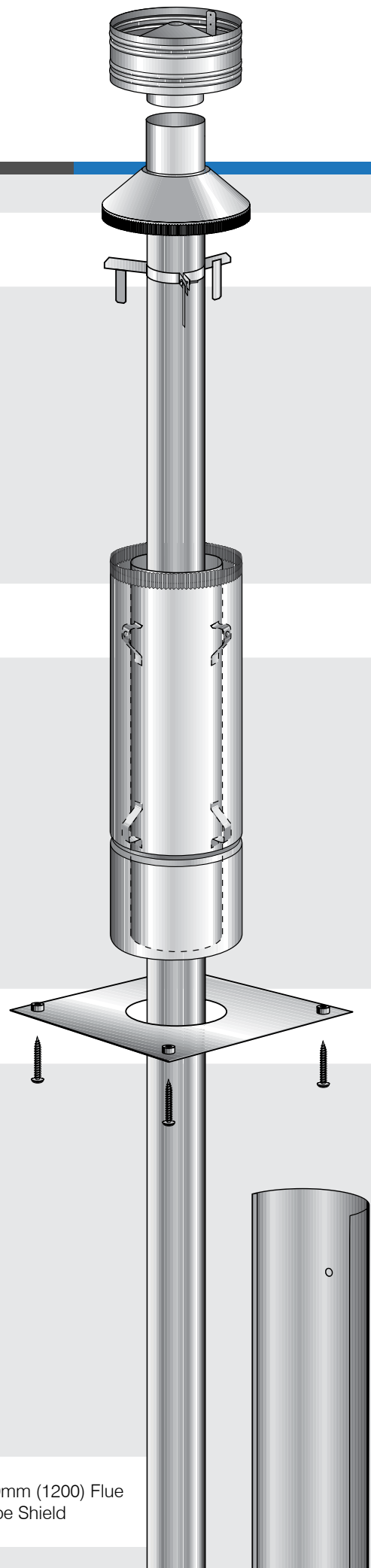
Flue Kit 3.6 metre (1800 Kit) contains:

- 3 x 1200mm lengths Flue Pipe
- 1 x 1200mm length Outer/Inner Casing Combination
- 1 x 600mm length Outer Casing Extension
- 1 x Anti Down-Draught Cowl
- 1 x Casing Cover
- 1 x Top Spacer Bracket
- 1 x Ceiling Plate
- 1 x Pkt Screws & Spacers

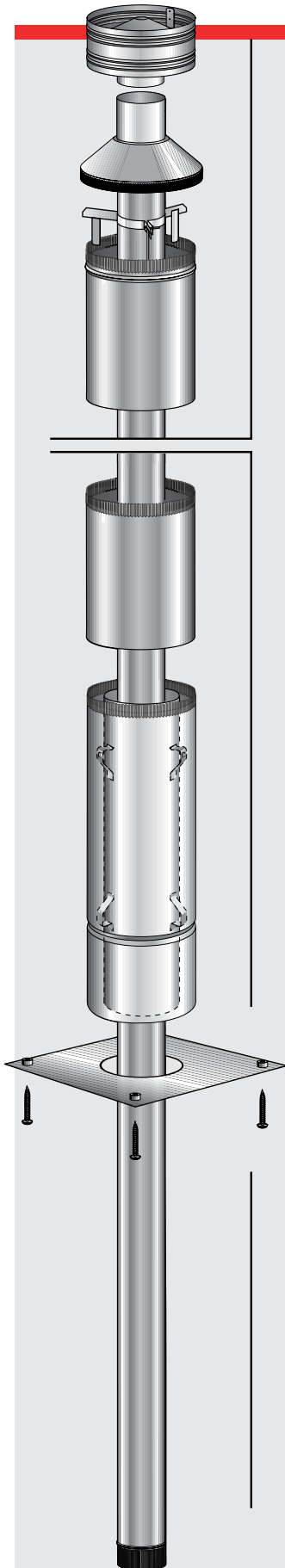
Flue Kit 4.0 metre (2400 Kit) contains:

- 3 x 1200mm lengths Flue Pipe
- 1 x 600mm length Flue Pipe
- 1 x 1200mm length Outer/Inner Casing Combination
- 2 x 600mm length Outer Casing Extension
- 1 x Anti Down-Draught Cowl
- 1 x Casing Cover
- 1 x Top Spacer Bracket
- 1 x Ceiling Plate
- 1 x Pkt Screws & Spacers

Diagram illustrates 150mm (1200) Flue Kit with Flue Pipe Shield



4.0 Metre Free-Standing Flue Kits 2400



2400 flue kits include a 600mm long, 250mm dia Outer Casing and 250mm dia Outer Casing Slip Extension.

Hi-Therm® Metallic Black - FKHTMB22R

100mm *

100mm with Single F/Shield *

150mm

150mm with Single F/Shield

Stainless Steel Outer Casing option additional cost

Stainless Steel - FKSSI5022R

100mm

100mm with Single F/Shield

125mm

125mm with Single F/Shield

150mm

150mm with Single F/Shield

175mm

175mm with Single F/Shield

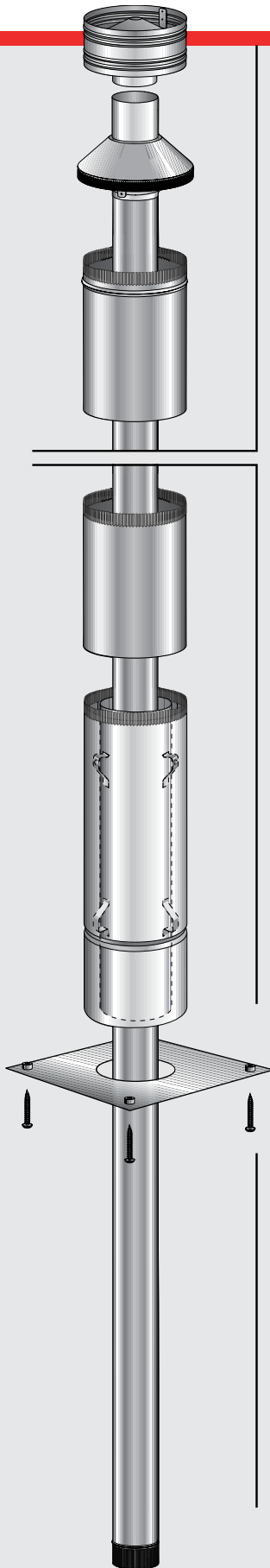
Stainless Steel Outer Casing option additional cost

4.0 metre 2400 flue kits also available with 1200mm long, 250mm dia Outer Casing Slip Extension. Please specify when ordering.

4.0 metre flue kits meet the Flue Pipe height requirements of AS/NZS 2918:2001 (4.6m rule) for a standard 2.4m stud height and a Wood Burner height of 600mm or greater.

*** Only available in Slimline variant (100, 150, 200)**

4.0 Metre Combination Cowl Free-Standing Flue Kits 2400



2400 flue kits include a 600mm long, 250mm dia Outer Casing and 250mm dia Outer Casing Slip Extension.

Hi-Therm® Metallic Black - FKHTMBCC22R

100mm *

100mm with Single F/Shield *

150mm

150mm with Single F/Shield

Stainless Steel Outer Casing option additional cost

Stainless Steel - FKSSCC22R

150mm

150mm with Single F/Shield

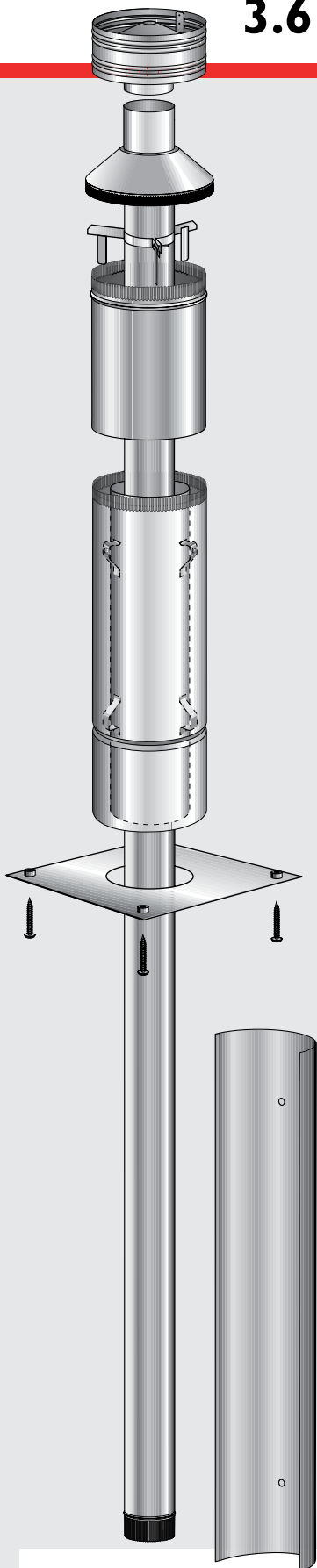
Stainless Steel Outer Casing option additional cost

4.0 metre 2400 flue kits also available with 1200mm long, 250mm dia Outer Casing Slip Extension. Please specify when ordering.

4.0 metre flue kits meet the Flue Pipe height requirements of AS/NZS 2918:2001 (4.6m rule) for a standard 2.4m stud height and a Wood Burner height of 600mm or greater.

*** Only available in Slimline variant (100, 150, 200)**

3.6 Metre Free-Standing Flue Kits 1800



1800 flue kits include a 600mm long, 250mm dia Outer Casing Slip Extension.

Hi-Therm® Metallic Black - *FKHTMB18R*

150mm

150mm with Single F/Shield

Stainless Steel Outer Casing option additional cost

Stainless Steel - *FKSS15018R*

100mm

100mm with Single F/Shield

108mm

108mm with Single F/Shield

115mm

115mm with Single F/Shield

125mm

125mm with Single F/Shield

150mm

150mm with Single F/Shield

Stainless Steel Outer Casing option additional cost

To comply with the height requirements of AS/NZS 2918:2001 (4.6 metre rule) additional Flue Pipe and/or Casings must be added.

Diagram illustrates 150 Kit with Flue Pipe Shield.

3.6 Metre Free-Standing Flue Kits 1200

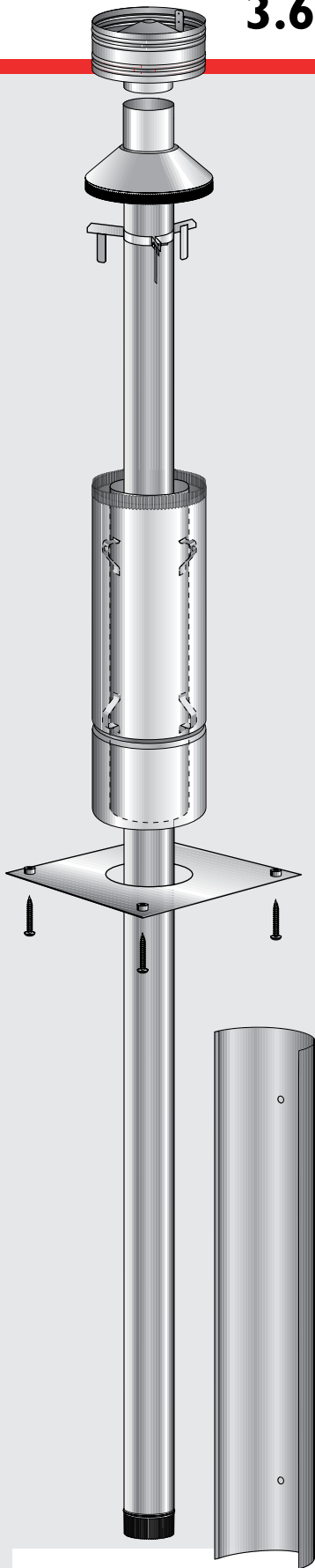


Diagram illustrates 150 Kit with Flue Pipe Shield.

1200 flue kits **DO NOT** include a 600mm long, 250mm dia Outer Casing Slip Extension.

Hi-Therm® Metallic Black - *FKHTMB12R*

150mm

150mm with Single F/Shield

Stainless Steel Outer Casing option additional cost

Stainless Steel - *FKSS15012R*

100mm

100mm with Single F/Shield

108mm

108mm with Single F/Shield

115mm

115mm with Single F/Shield

125mm

125mm with Single F/Shield

150mm

150mm with Single F/Shield

Stainless Steel Outer Casing option additional cost

To comply with the height requirements of AS/NZS 2918:2001 (4.6 metre rule) additional Flue Pipe and/or Casings must be added.

ATTACH PRINTOUTS TO THIS PAGE



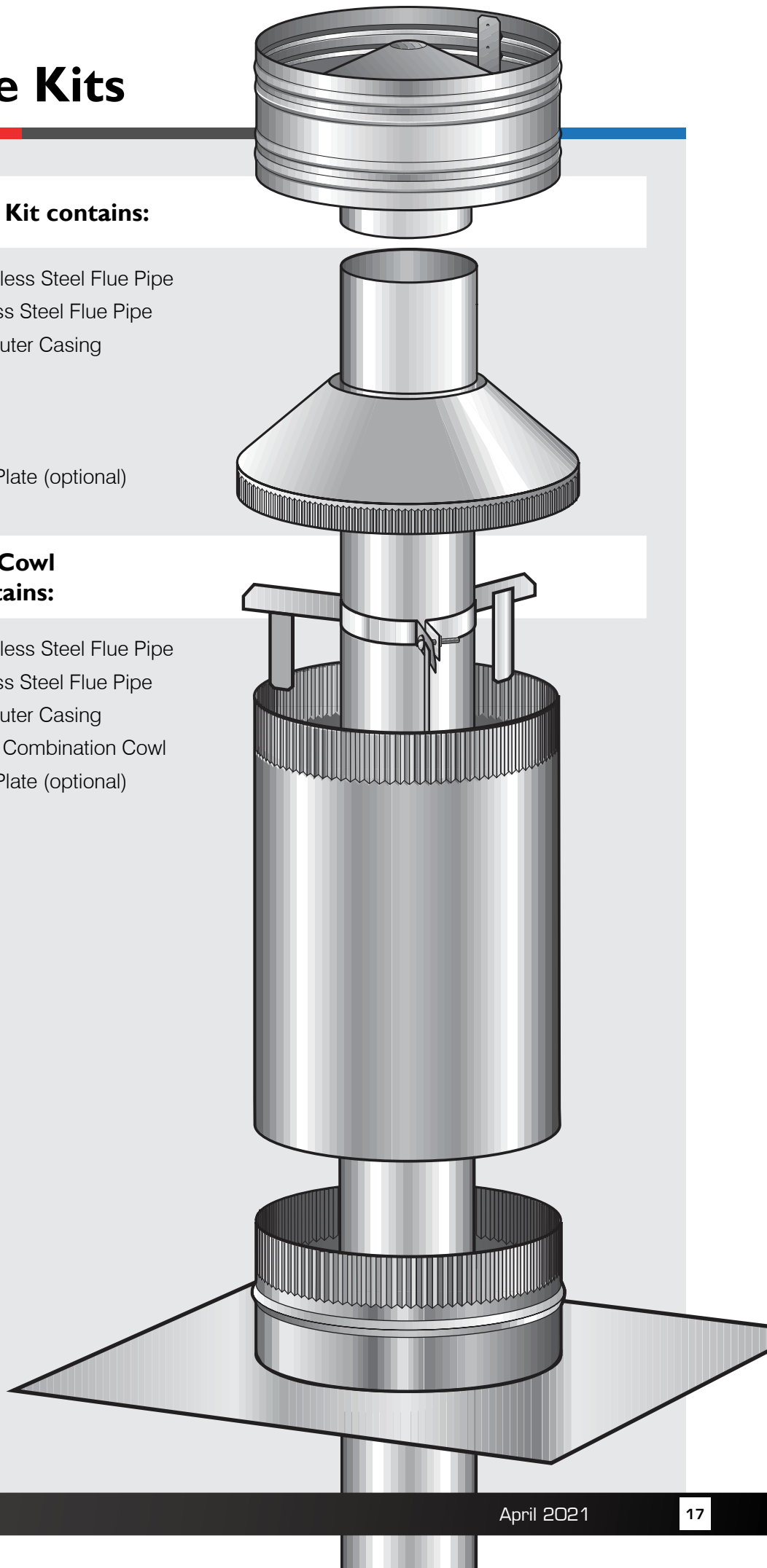
Chimney Flue Kits

150mm Chimney Flue Kit contains:

- 3 x 1200mm lengths of Stainless Steel Flue Pipe
- 1 x 600mm length of Stainless Steel Flue Pipe
- 1 x 600mm length of Galv. Outer Casing
- 1 x Anti Down-Draught Cowl
- 1 x Casing Cover
- 1 x Top Spacer Bracket
- 1 x Galv. Chimney Flashing Plate (optional)

150mm Combination Cowl Chimney Flue Kit contains:

- 3 x 1200mm lengths of Stainless Steel Flue Pipe
- 1 x 400mm length of Stainless Steel Flue Pipe
- 1 x 600mm length of Galv. Outer Casing
- 1 x Anti Down-Draught Cowl Combination Cowl
- 1 x Galv. Chimney Flashing Plate (optional)



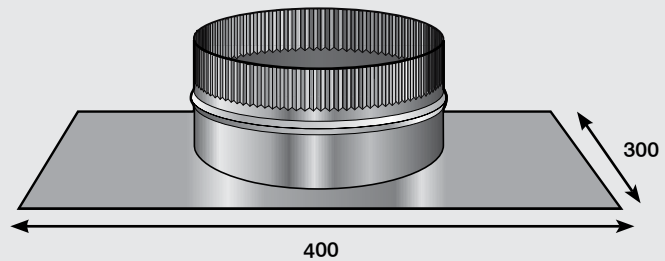
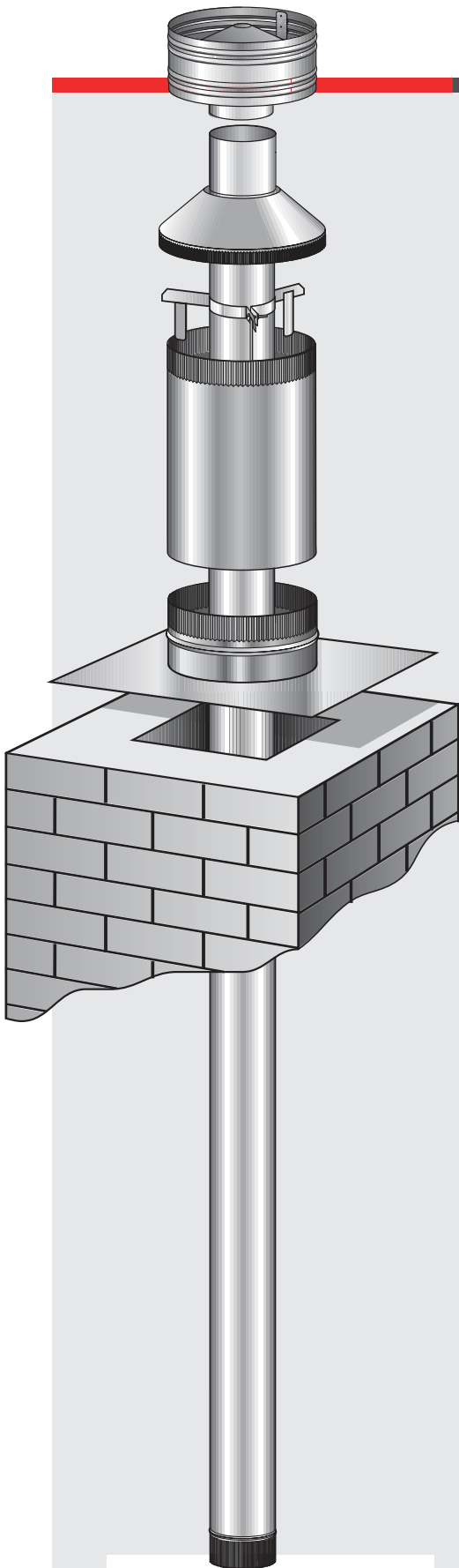
4.0 Metre Chimney Flue Kits

Stainless Steel - FKIB150W

150mm

150mm with Chimney Flashing Plate

Stainless Steel Chimney Flashing Plate and Outer Casing option addition cost



PLEASE NOTE: If Chimney Flashing Plate is required, please specify when ordering.

4.0 metre flue kits meet the Flue Pipe height requirements of AS/NZS 2918:2001 (4.6m rule) for a standard 2.4m stud height and a Wood Burner height of 600mm or greater.

Diagram illustrates 150 Kit with optional Chimney Flashing Plate.

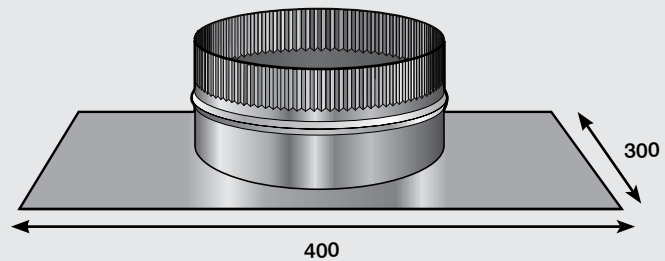
4.0 Metre Combination Cowl Chimney Flue Kits

Stainless Steel - FKIBCC150W

150mm

150mm with Chimney Flashing Plate

Stainless Steel Chimney Flashing Plate and Outer Casing option additional cost



PLEASE NOTE: If Chimney Flashing Plate is required, please specify when ordering.

4.0 metre flue kits meet the Flue Pipe height requirements of AS/NZS 2918:2001 (4.6m rule) for a standard 2.4m stud height and a Wood Burner height of 600mm or greater.

Diagram illustrates 150 Kit with optional Chimney Flashing Plate.

Energy / Heat Saving Type Flue Kits

- Energy/Heat Saving type kits rely on a thermo-syphon principle where air from either the ceiling cavity or outside is drawn into the Outer Casing and “cools” the flue system.
- Energy/Heat Saving type flue kits minimise room air from being drawn up the Outer Casing and being “wasted”.
- The E Kit Option has been developed by SFP as a basic conversion kit. It is a practical solution, no need to stock both Energy/Heat Saving type kits and conventional kits. Simply add the E Kit Option to any SFP 150mm free-standing flue kit.

The **E Kit Option** has been tested to AS/NZS2918:2001 Report No. 03/815 & 03/833.

NB: The E Kit Option can only be used on SFP 150mm Free-Standing Kits, SFP Ceiling Kits or with SFP components.

The E Kit Option can be used on heaters tested to AS/NZS2918:2001 Appendix B

On Metro heaters, SFP recommend the use of Pioneer Eco Flue Kits

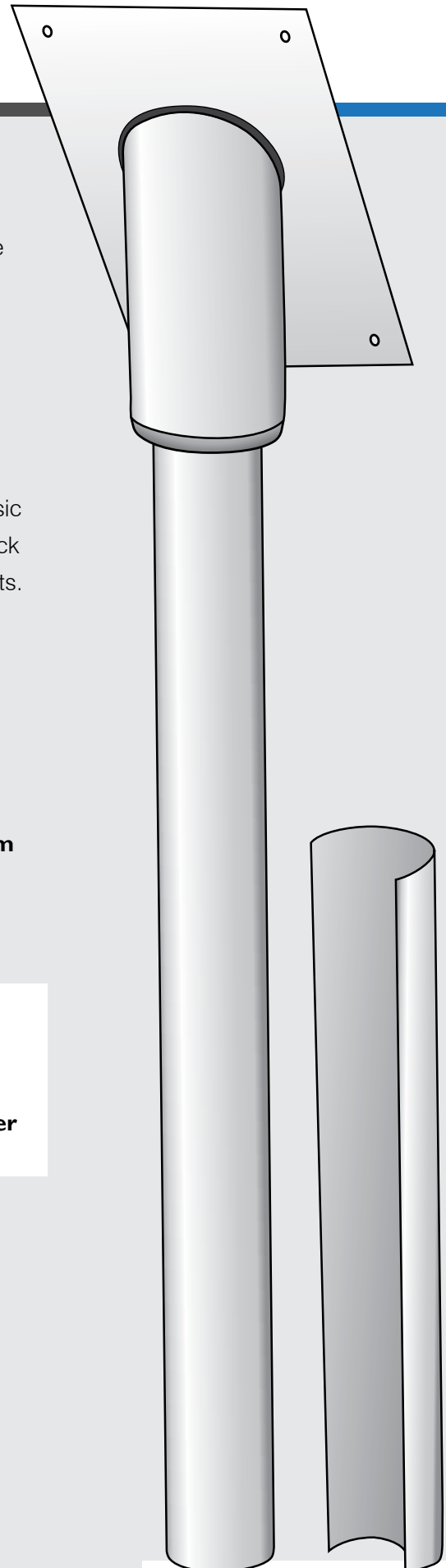


Diagram illustrates Type 3 CPTU Sloped Ceiling Kit

E Kit Option

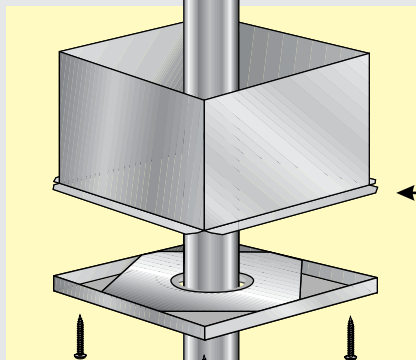
150mm E Kit Option - EK150

150mm

The **E Kit Option** is a kit that converts a 150mm SFP Free-Standing Flue Kit to an Energy/Heat Saving type Kit on flat ceilings.

The easy fitting **E Kit Option** reduces heat loss from the room. Refer to installation instructions.

Manufactured in accordance with AS/NZS 2918:2001 and tested to appendix F.



150mm E Kit Option

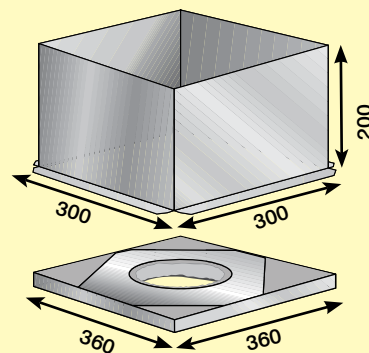


Diagram illustrates 150 Kit with E Kit Option in position

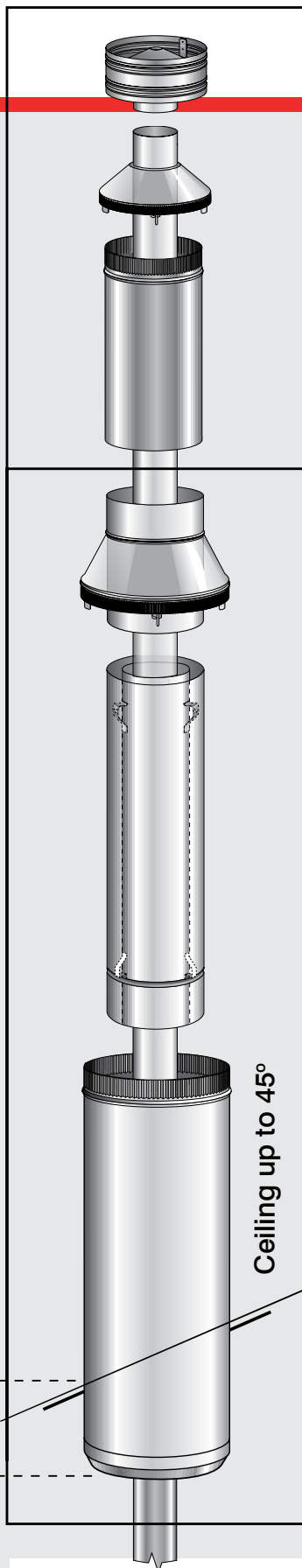


Diagram illustrates 150mm Flue Kit with Stainless Steel Sloped Ceiling E Kit Option in position

150mm Sloped Ceiling E Kit Option

Option 1 Galvanised

Option 2 Stainless Steel

See opposite page for components.

The E Kit Option is an option that converts a 150mm SFP Free-Standing Flue Kit to an Energy/Heat Saving type Kit on sloped ceilings.

The easy fitting E Kit Option reduces heat loss from the room. Refer to installation instructions.

Manufactured in accordance with AS/NZS 2918:2001 and tested to appendix F.

Galvanised Kit contains:

- 1x E Kit Option Casing Cover 250mm - 300mm
- 1x Outer Casing Galvanised 300mm x 1200mm with internal mounting frame
- 1x 300mm / 155mm Galvanised Trim Cap
- 1x 300mm Galvanised Trim Plate

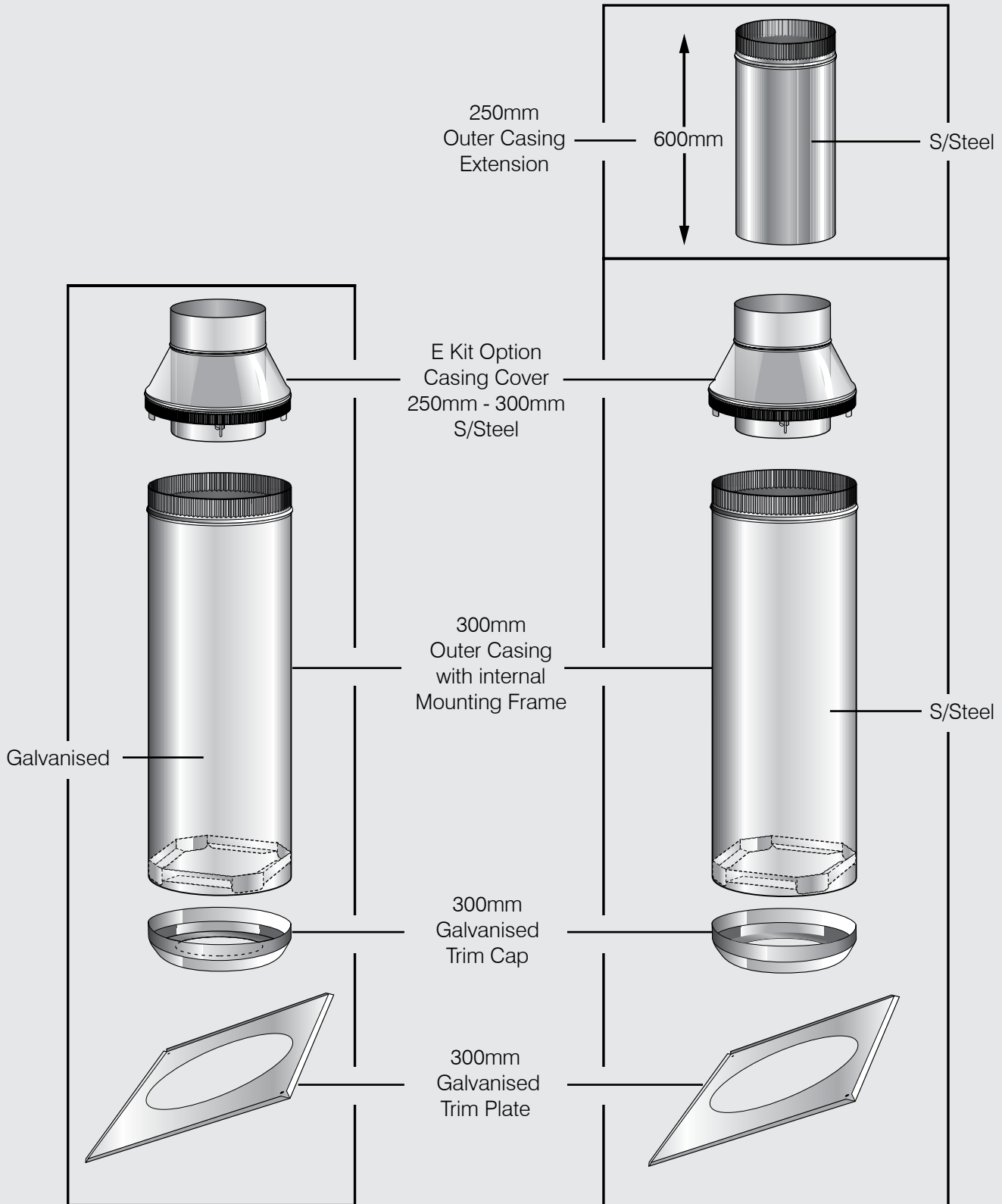
Stainless Steel Kit contains:

- 1x 250mm x 600mm S/Steel Outer Casing Extension
- 1x E Kit Option Casing Cover 250mm - 300mm
- 1x Outer Casing Stainless Steel 300mm x 1200mm with internal mounting frame
- 1x 300mm / 155mm Galvanised Trim Cap
- 1x 300mm Galvanised Trim Plate

Sloped Ceiling E Kit Option

Option 1: Galvanised - SFPOK1

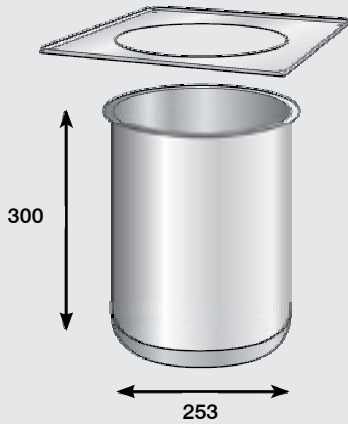
Option 2: Stainless Steel - SFPOK2



*Please specify angle.

*Please specify angle.

Ceiling Penetration Trim Units Galvanised

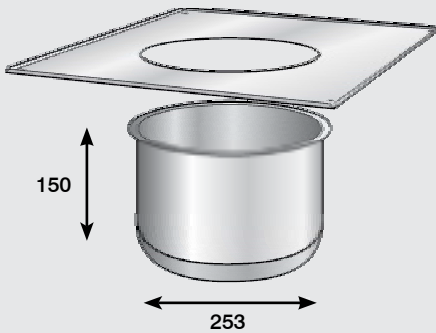


Type 1 C.P.T.U. Flat Ceiling - CPTU1

250mm unpainted

Slips over 250mm Outer Casing

For use on untested installations as per AS/NZS 2918:2001
Please enquire about suitable applications or refer to AS/NZS 2918:2001.

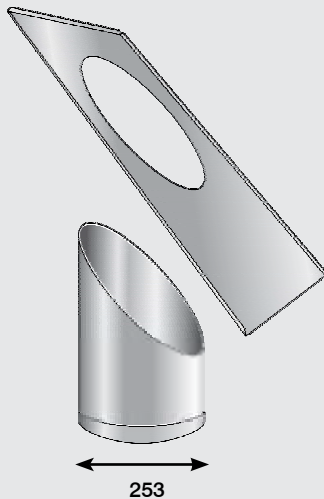


Type 2 C.P.T.U. Flat Ceiling - CPTU2

250mm unpainted

Slips over 250mm Outer Casing

For use on untested installations as per AS/NZS 2918:2001
Please enquire about suitable applications or refer to AS/NZS 2918:2001.

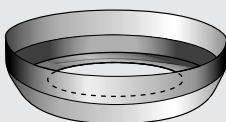


Type 3 C.P.T.U. Sloped Ceiling - CPTU3

250mm unpainted

Slips over 250mm Outer Casing.

Please state correct angle when ordering.



C.P.T.U. Trim Cap - OCTC250

250/180mm Galvanised

All products on this page are manufactured in accordance with AS/NZS 2918:2001 and tested to Appendix F

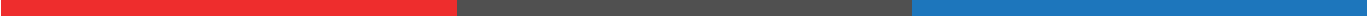
ATTACH PRINTOUTS TO THIS PAGE



ATTACH PRINTOUTS TO THIS PAGE

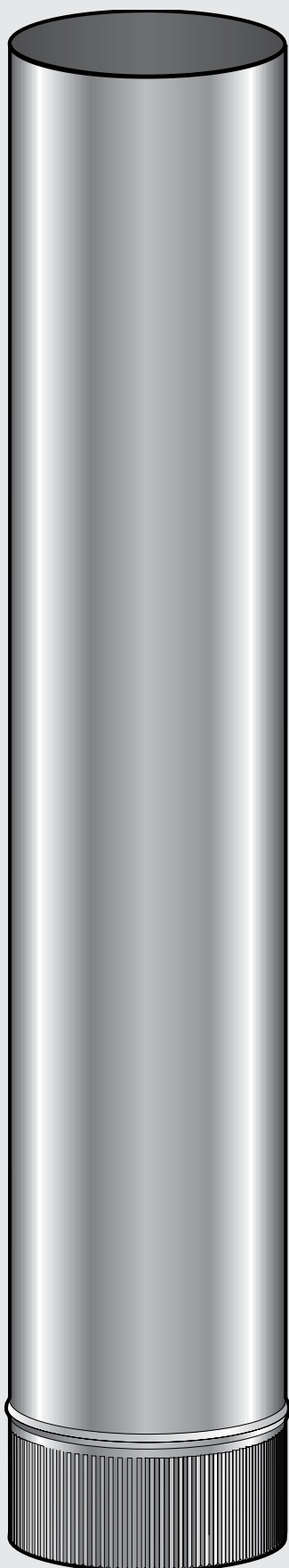


ATTACH PRINTOUTS TO THIS PAGE





Flue Pipes Stainless Steel



1200mm lengths - FPI5012

100mm

108mm

115mm

125mm

150mm

175mm

200mm

225mm

250mm

275mm

300mm

325mm

350mm

400mm

450mm

900mm lengths - FPI509

125mm

150mm

200mm

250mm

300mm

600mm lengths - FPI506

100mm

125mm

150mm

175mm

200mm

225mm

250mm

300mm

350mm

400mm

Metallic Black Flue Pipes



Hi Therm® 1200mm lengths - FHTMB150

100mm

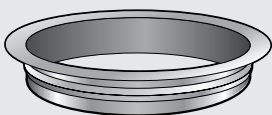
150mm

Hi Therm® 1200mm lengths - FHTMB150

6 x Pipes or more (price each)

150mm

Starter Rings



Starter Ring - SR

150mm Starter Ring



Starter Ring (Black) - SRB

150mm Starter Ring (Black)

To improve the fit of 150mm dia Flue Pipe into the heater Flue Pipe Spigot

Outer Casings Galvanised



1200mm lengths - OC25012

200mm

225mm

250mm

275mm

300mm

325mm

350mm

375mm

400mm

450mm

500mm

550mm

600mm

900mm lengths - OC2509

200mm

250mm

300mm

325mm

350mm

600mm lengths - OC2506

200mm

225mm

250mm

275mm

300mm

325mm

350mm

400mm

450mm

Outer / Inner Casing Combinations



1200 Illustrated
Outer / Inner Casing
Combinations are supplied with
1200mm of Inner Casing only

1200mm lengths - *OIC25012* (No Outer Casing Slip Extension)

250/200mm

250/200mm (Stainless Steel Outer)

275/225mm

300/250mm

325/275mm

350/300mm

1800mm lengths - *OIC25018* (with 600mm long Slip Extension)

250/200mm

250/200mm (Stainless Steel Outer)

275/225mm

300/250mm

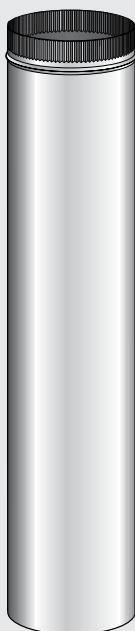
325/275mm

350/300mm

2400mm lengths - *OIC25024* (with 1200mm long Slip Extension)

250/200mm

Outer Casing Slip Extensions



1200mm Galv. lengths - *OCSE25212*

252mm

277mm

302mm

352mm

600mm Galv. lengths - *OCSE2526*

252mm

1200mm Stainless Steel lengths - *OCSESS25312*

253mm

Inner Casings Galvanised



Plain

1200mm Lengths Plain - IC20012

200mm

225mm

250mm

275mm

300mm

350mm

600mm Lengths Plain - IC2006

200mm

225mm

250mm

275mm

300mm

350mm



With Upper and Lower Brackets

1200mm Lengths with Brackets - ICB20012

200mm

225mm

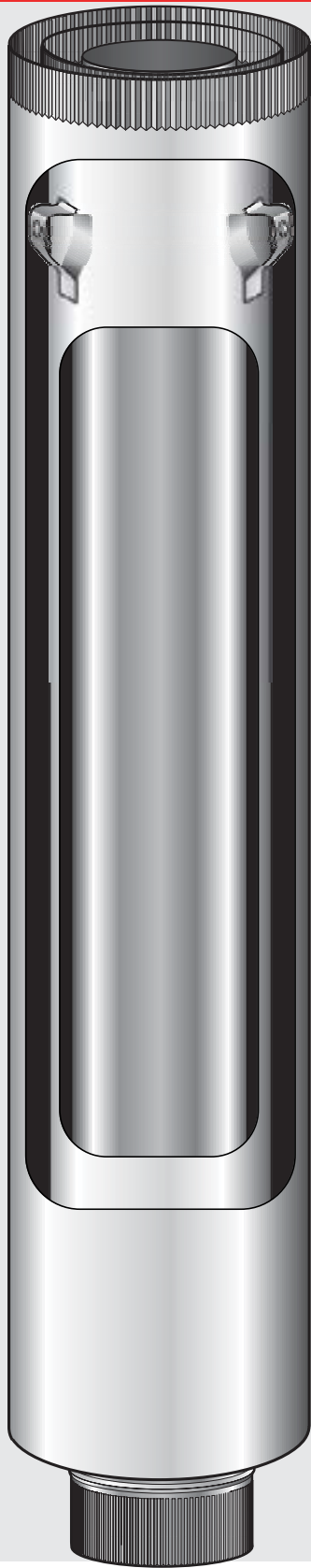
250mm

275mm

300mm

350mm

Flue Pipe / Casing Extension Kits



1200mm Extension Kit - FPCEKB25012

150, 200, 250mm (bracketed inner)

1200mm Outer / Inner Extension Kit - OIEKB25012

200, 250mm (bracketed inner)

NB: Extension kits have no internal swage ring and are crimped only at the top on the Outer Casing to allow fitting of Outer Casing Slip Extension. Inner Casings have upper locating brackets only.

Illustration shows a cross section of the 1200mm Extension kit.

Outside In: 250mm Outer Casing
200mm Inner Casing with Upper
Brackets Only
150mm Flue Pipe

ATTACH PRINTOUTS TO THIS PAGE





Bird Proofing / Spark Arrestors



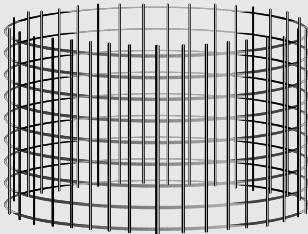
Stainless Steel Flexible Bird Mesh - *BMFG*

150mm

10 or more

Mesh extends down, over Outer Casing. Price for mesh only.

Recommended to suit 150mm Anti Down Draught Cowl only.



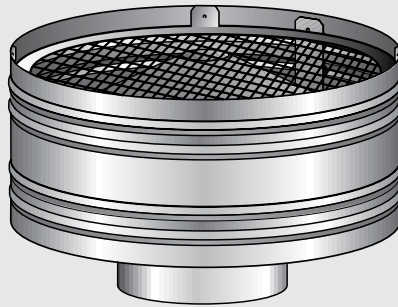
Stainless Steel Bird Mesh Ring - *BPI50SS*

150mm

200mm

250mm

To suit ADD Cowls. Other sizes to order.



Spark Arrestor Cowl* - *SASS150*

150mm

200mm

250mm

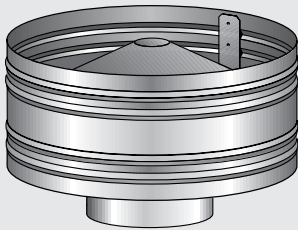
300mm

350mm

400mm

*Price includes cowl and spark arrestor

Flue Cowl Stainless Steel



Anti Down-Draught Cowls - ADD150

100mm

108mm

115mm

125mm

150mm

175mm

200mm

225mm

250mm

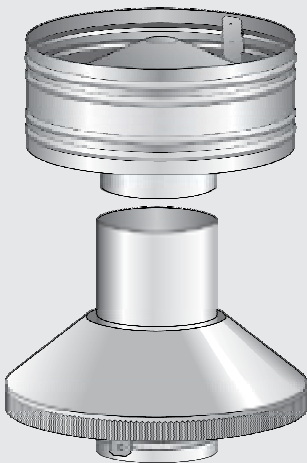
300mm

325mm

350mm

400mm

450mm

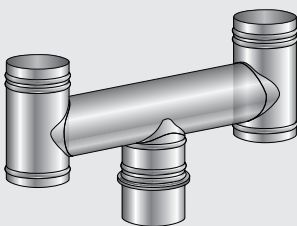


Anti Down-Draught Combination Cowls - ADDCCI150

150mm

Includes fixed brackets to secure to Outer Casing

A 150mm ADD Cowl fits over the upstand of Bracketed Casing Cover

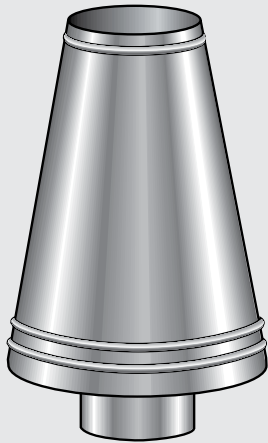


"H" Tops - HT150

150mm

"H" Top Bird Mesh (Pair)

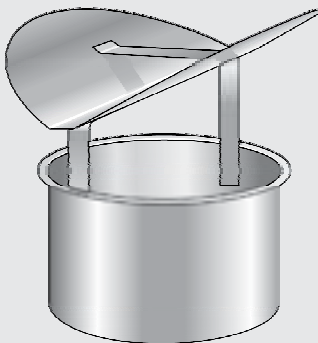
Flue Cows Stainless Steel



Rocket Tops - RT150

150mm

Under certain conditions these cowls can assist flue draught and vertical smoke discharge



Butterfly Cowls - BC150

150mm

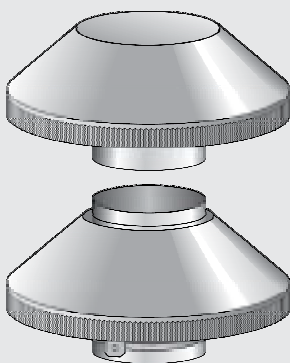
200mm

225mm

250mm

300mm

For use in Terracotta or Copper Chimney Pots

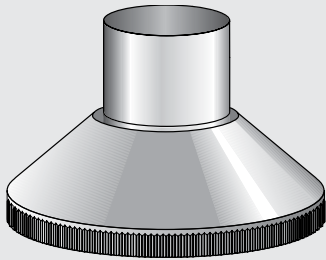


Low-line Combination Cowls - LLCC150

150mm

Replacement for Kent type cowls

Casing Covers Stainless Steel



Standard - CC150250

100-250mm*

108-250mm*

115-250mm*

125-250mm*

150-250mm*

175-275mm*

200-300mm*

225-325mm*

250-350mm*

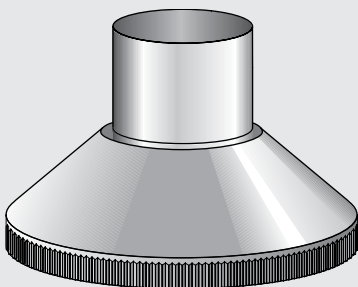
275-375mm*

300-400mm*

350-450mm*

400-500mm*

450-550mm*



Oversize - CC150300

100-300mm*

150-300mm*

150-350mm*

175-325mm*

200-350mm*

225-375mm*

250-400mm*

275-425mm*

300-450mm*

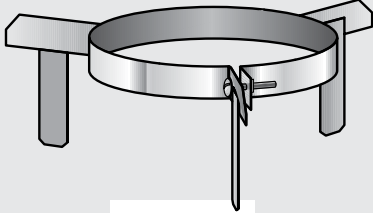
350-500mm*

400-550mm*

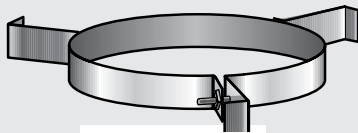
450-600mm*

*Outer Casing / Chimney Cover Spigot Diameter

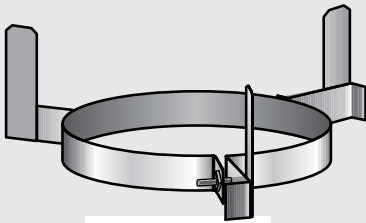
Flue Pipe Spacer Brackets



Top Spacer



Plain Spacer



Bottom Spacer

Please specify Top, Bottom, or Plain Spacer when ordering

Unless specified, a top spacer will be supplied

Stainless Steel - *FSBT150250*

100 to 250mm

115 to 250mm

125 to 250mm

150 to 250mm

175 to 275mm

200 to 300mm

225 to 325mm

250 to 350mm

300 to 400mm

350 to 450mm

400 to 500mm

450 to 550mm

Oversize Stainless Steel - *FSBT150300*

150 to 300mm

150 to 350mm

175 to 325mm

200 to 350mm

225 to 375mm

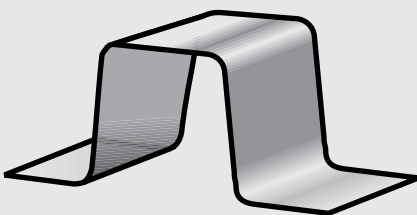
250 to 400mm

300 to 450mm

350 to 500mm

400 to 550mm

450 to 600mm

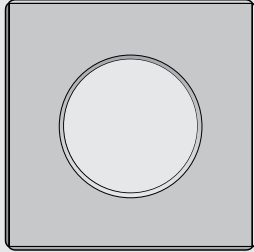


Spacing Saddles Stainless Steel - *FSS*

25 x 25 x 25mm

Minimum Order Quantity of 10

Ceiling Plates Stainless Steel



Flat Ceiling - CPI50

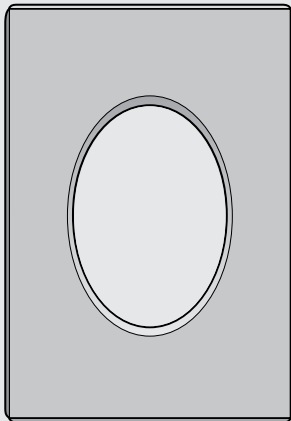
100mm

108mm

115mm

125mm

150mm



Oversize - CPI50460

150mm 460mm square

150mm 500mm square

150mm 600mm square

30° Ceiling - CPI5030

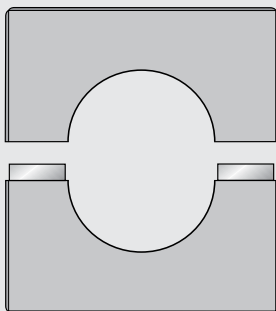
100mm

108mm

115mm

125mm

150mm



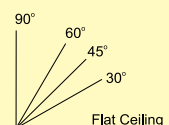
Split Ceiling Plates - CPS150

150mm Flat Ceiling

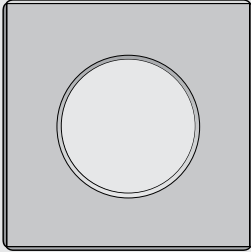
150mm 30°

Other sizes

Please Note: All angle measurements are based off a horizontal 90° take.
Please take this into consideration when placing your order



Trim Plates Stainless Steel



Flat Ceiling / Floor - CTP255

255mm dia. hole

280mm dia. hole

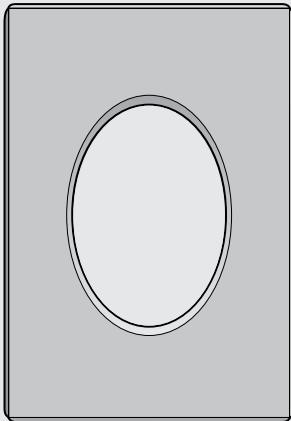
305mm dia. hole

330mm dia. hole

355mm dia. hole

405mm dia. hole

455mm dia. hole



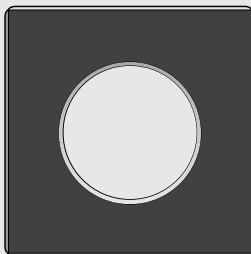
30° & 45° Ceiling - CTP25530

255mm dia. hole

280mm dia. hole

330mm dia. hole

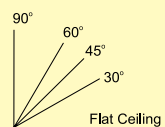
Ceiling Plates Black



Ceiling Plates Black - CPB150

150mm Flat ceiling

Please Note: All angle measurements are based off a horizontal 90° take.
Please take this into consideration when placing your order



Floor Penetration E Kit Option

For use in two storied installations

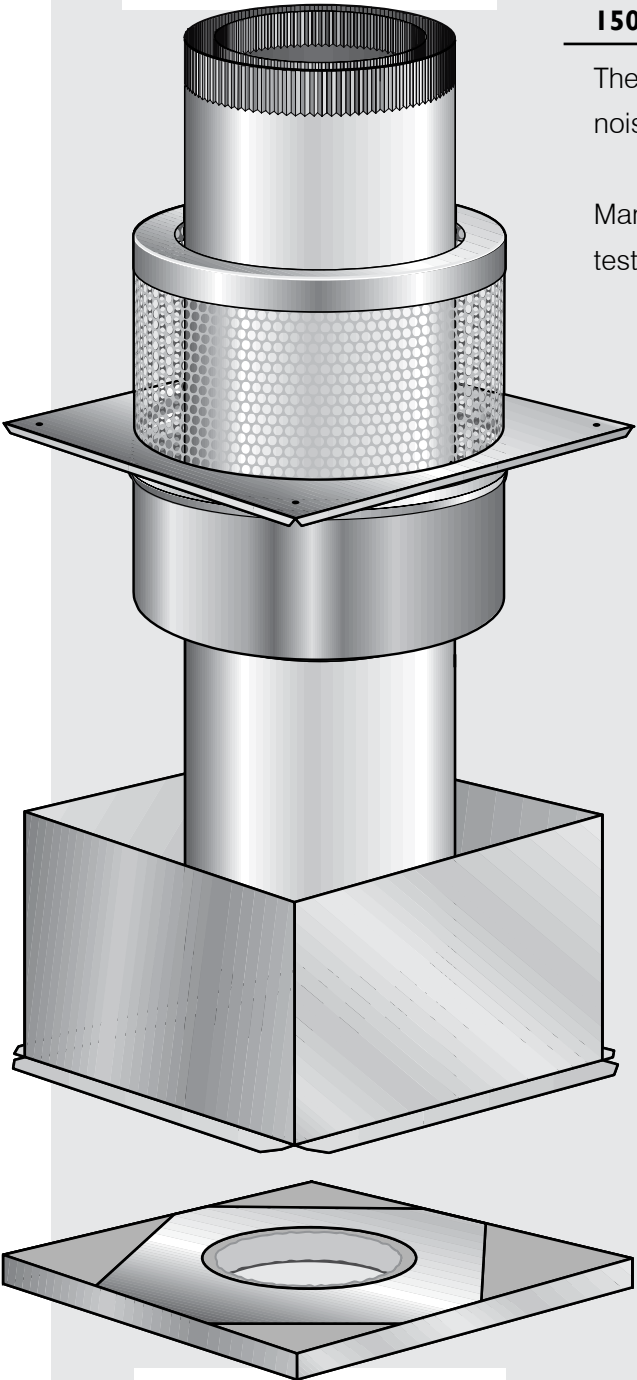


Diagram illustrates 150mm Floor Penetration E Kit with Outer / Inner Casing in position

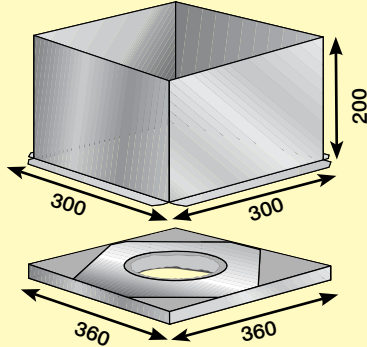
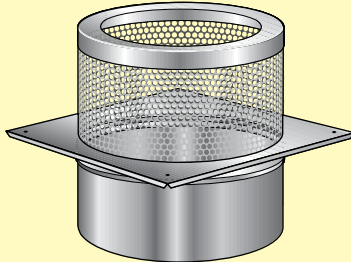
Floor Penetration E Kit - EKFP150

150mm unpainted

The easy fitting Floor Penetration E Kit can help reduce noise transfer between upper and lower rooms.

Manufactured in accordance with AS/NZS 2918:2001 and tested to appendix F.

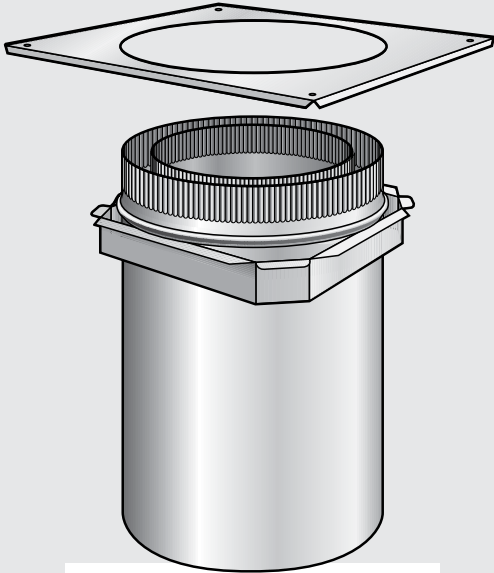
150mm Floor Penetration E Kit Option



This Kit is designed to be used where the 250/200 Combination Liners extend from the E Kit unit to outside the roof

DO NOT USE WITH 250 DIA MESH SCREEN

Floor Penetration Units



For use in two storied installations

Floor Penetration Unit - FPU250200

250/200mm

Floor Penetration Extensions must be used when fitting mesh screens. (AS/NZS 2918:2001 4.6.30)

Supplied complete with Trim Plate.

For use on tested and untested installations
As per AS/NZS 2918:2001

Floor Penetration Extensions

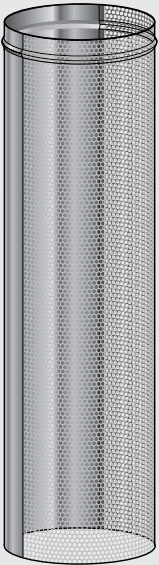


Floor Penetration Extension - FPE250

250mm x 300mm long

Extensions are designed to be used when installing 250mm Mesh Screens on Floor Penetrations Units.

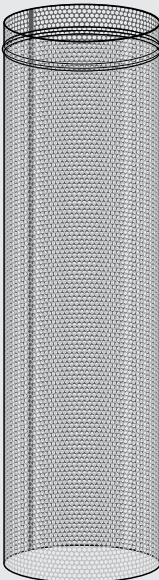
Flue Pipe Screens



1/2 & 1/2 Mesh Front / Reflector Backed - MSR250

250mm

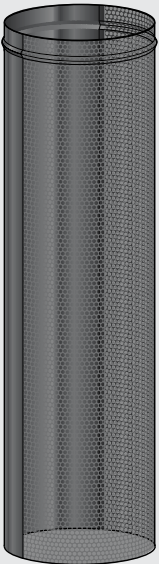
300mm



Full Mesh - MS250

250mm

300mm

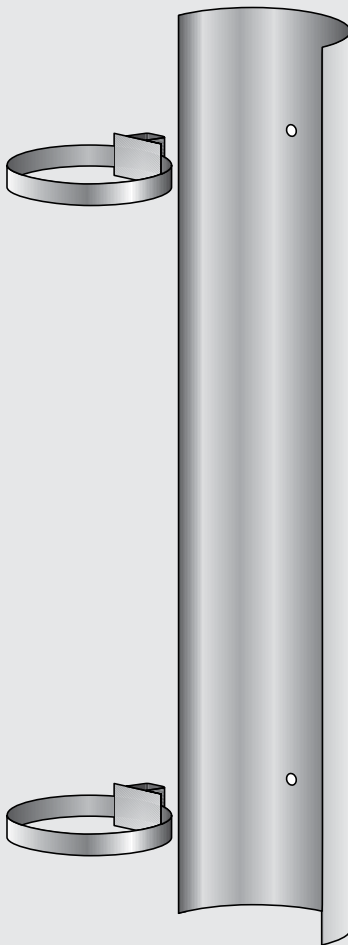


1/2 & 1/2 Painted Black - MSRBB250

250mm

If Plain Spacer Brackets are required please order separately.
Flue Pipe Screens are 1200mm long.
For use in two storied installations.

Flue Pipe Shields Stainless Steel



1200mm Shield (Complete) - FSC150

100mm

115mm

125mm

150mm

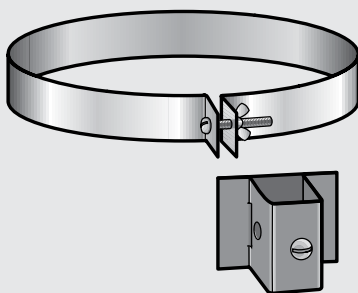
Supplied complete with brackets and bands for mounting to Flue Pipe

1200mm Shields (Brackets Only) - FSB150

To fit sizes up to 150mm dia.

Supplied with brackets only for mounting to Flue Pipe.

Flue Pipe Shield Components



Flue Pipe Shield Components - FSBKT

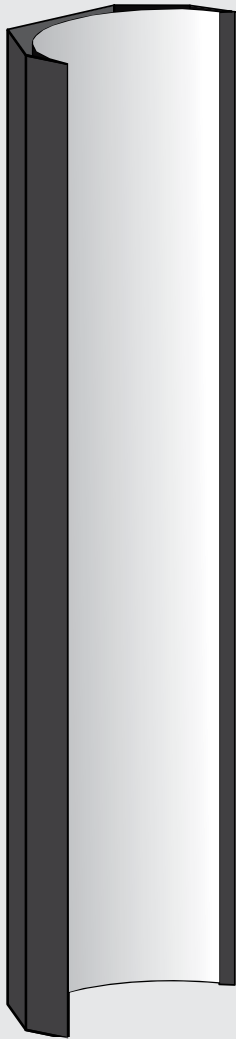
Brackets only (pair)

Brackets and bands only (pair)

These components are common to all our single Flue Pipe Shields. Upon securing the Brackets to the Flue Pipe with rivets or screws the Flue Pipe Shield Bands may be removed

Please ensure Wood Burner manufacturer's Flue Pipe Shield specifications and AS/NZS 2918:2001 are strictly adhered to

Flue Pipe Shields Double

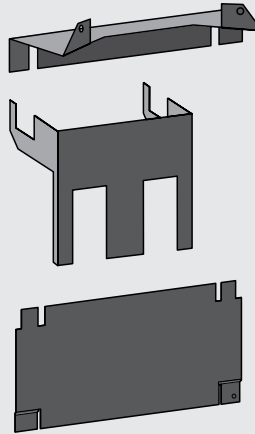


Universal Double Shield - *FSUDB*

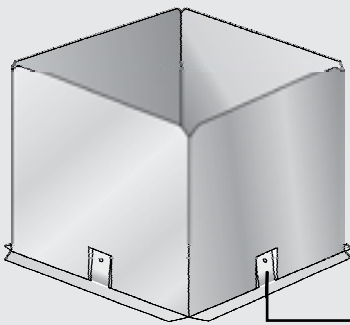
Black

Complete with Brackets for mounting to Flue Pipe / Wood Burner.

Please ensure Wood Burner manufacturer's Flue Pipe Shield specifications and AS/NZS 2918:2001 are strictly adhered to.



Loose Fill Insulation Boundary



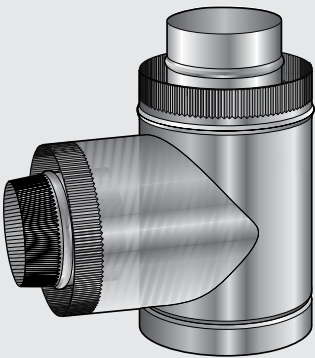
Galvanised - *LFIB250*

250mm square

For use in ceiling space where insulation material needs to be retained

Outer Casing Location Tabs

Combination Tee-Pieces

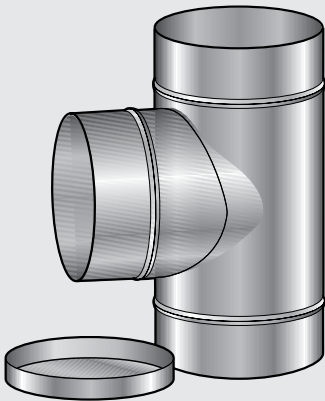


90° - TPC150250

150/250mm

Suitable for use with SFP Wall Penetration Units.

Tee-Pieces with End Cap



90° - TP150

100 mm

115mm

125mm

150mm

175mm

200mm

225mm

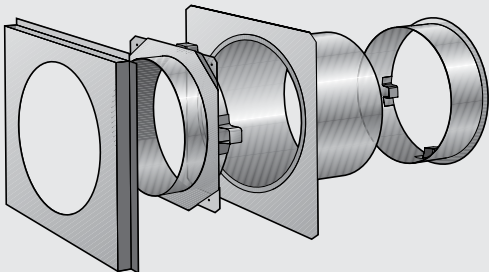
250mm

300mm

350mm

Suitable for use with SFP Wall Penetration Units.

150mm Wall Penetration Units



150mm Wall Penetration Units - WPU150

250/200mm

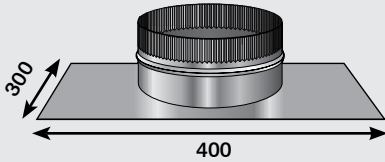
To suit installations using 250mm Outer Casing with Flue Pipe diameters up to 150mm.

Trim Plate / Wall Plate not supplied.

For use on tested and untested installations as per AS/NZS 2918:2001

It is the responsibility of the installer to ensure that the requirements of the New Zealand Building Code's Clause E2 (External Moisture) are complied with

Chimney Flashing Plates



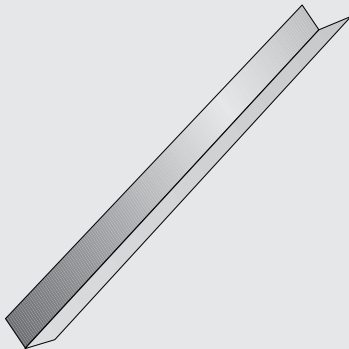
Galvanised - CFPG250

250mm

Stainless Steel - CFPS250

250mm

Support Angles



Galvanised - SA2512

600mm 25x25mm

1200mm 25x25mm

2400mm 25x25mm

600mm 50x50mm

1200mm 50x50mm

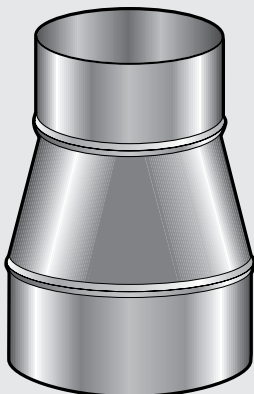
2400mm 50x50mm

600mm 75x75mm

1200mm 75x75mm

2400mm 75x75mm

Reducers / Adaptors



Stainless Steel - R1

Between any two of these sizes

100 to 150mm

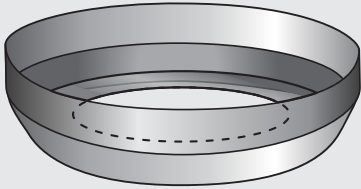
150 to 200mm

200 to 300mm

If specified length required add

PLEASE NOTE: These items require a detailed description as inside / outside diameters & crimping options are critical.

Outer Casing Trim Caps



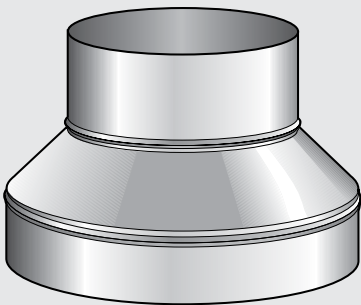
Galvanised - OCTC250

250/180mm

300/155mm

Other hole sizes to order

Outer Casing Converters



Galvanised - OCC300250

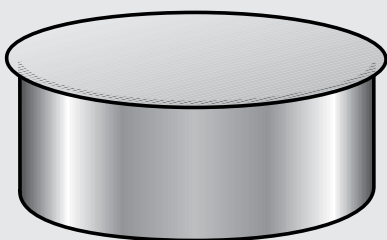
300mm to 250mm

350mm to 250mm

Specials size to order

For conversion of larger size Outer Casings to 250mm diameter.

Outer Casing Blanking Caps



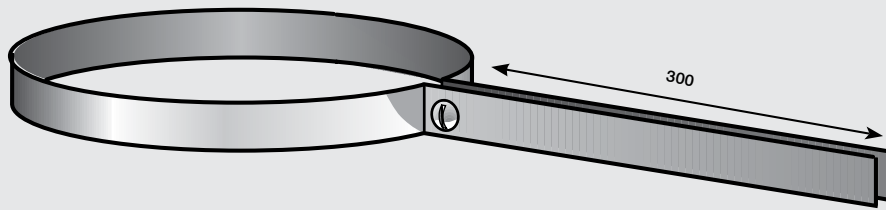
Galvanised - OCBC250

250mm

300mm

350mm

Wall Standoff Brackets



Galvanised - WSB250

250mm

300mm

350mm

400mm

Stainless Steel (304) - WSBSS250

250mm

300mm

350mm

400mm

Stainless Steel (316)

250mm

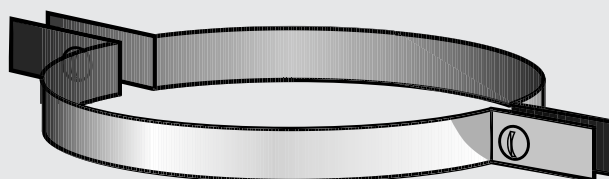
300mm

350mm

400mm

Copper available on request.

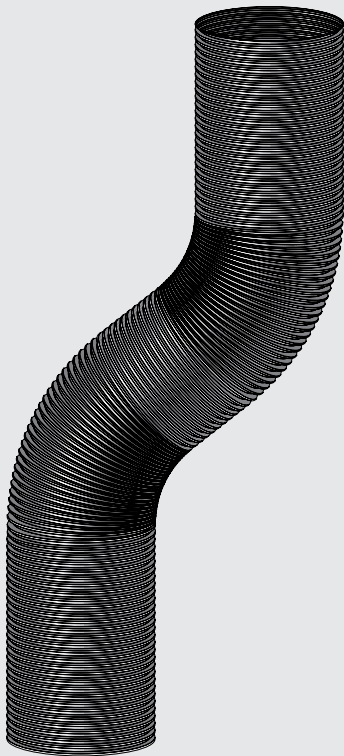
Two Piece Brackets



Galvanised - WSBS250

250mm

Flexi Flue Pipe



Stainless Steel - FFSS1001 (1.0 metre length)

75mm

100mm

Stainless Steel - FFSS150 (1.5 metre length)

125mm

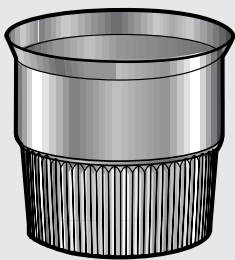
150mm

200mm

For use in masonry chimneys only.

Extreme care is required when handling, installing and maintaining Flexi-Flue Pipe. Flexi-Flue Pipe supplied by SFP is manufactured with 316L Stainless Steel .13mm to comply with AS/NZS2918.2001 2.3(a)

Flexi Flue Reducers / Adapters



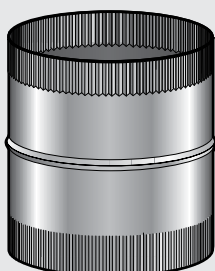
Stainless Steel - FFASS150

150mm Flexi Flue - 150mm Fire Spigot

125mm Flexi Flue - 125mm Fire Spigot

150mm Flexi Flue - 125mm Fire Spigot

Connectors / Joiners



Stainless Steel - FFCSS150

75mm

100mm

125mm

150mm

ATTACH PRINTOUTS TO THIS PAGE

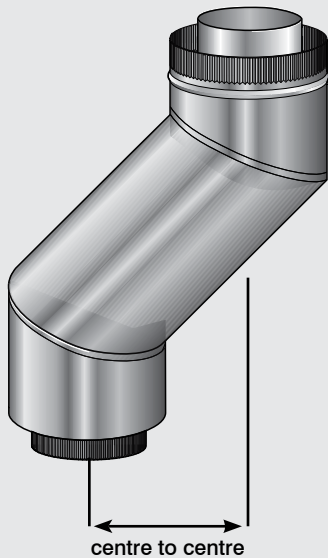


ATTACH PRINTOUTS TO THIS PAGE





Combination Offsets 45°



Single Casing - COSC45/50250 Priced Up to 500mm c to c

150/250mm

200/300mm

225/325mm

250/350mm

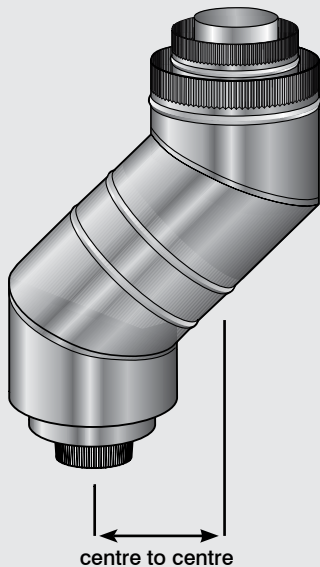
275/375mm

300/400mm

350/450mm

400/500mm

Single Casing Offsets are not supplied with internal spacers



Double Casing - CODC45/150 Priced Up to 500mm c to c

150/200/250mm

175/225/275mm

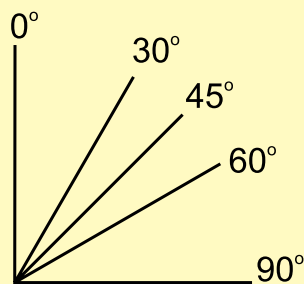
200/250/300mm

250/300/350mm

300/350/400mm

Minimum Offset 220mm centre to centre at 45°

Offsets less than 220mm centre to centre at POA

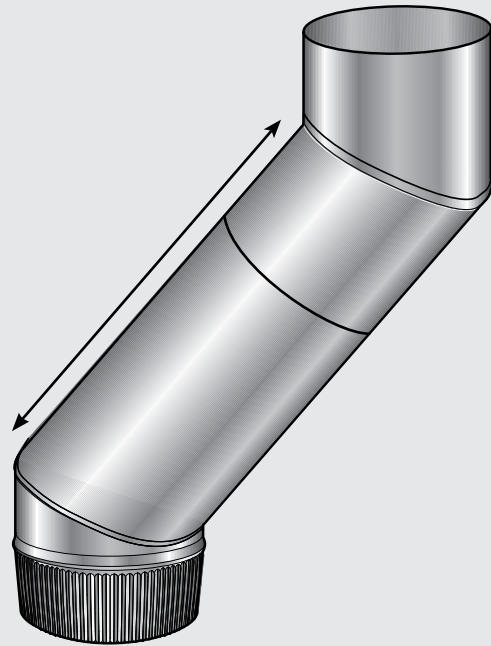
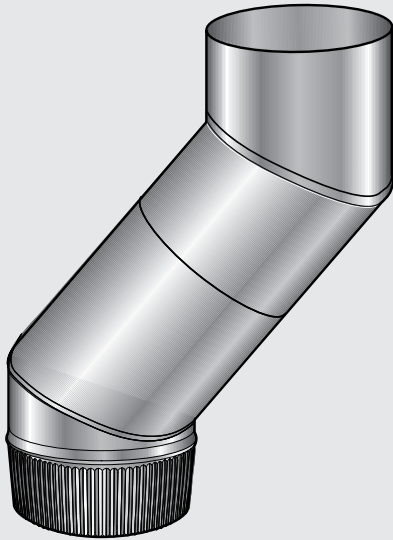


Please Note: All angle measurements are based off a vertical 90° take.

Please take this into consideration when placing your order

Telescopic Offsets 45°

These allow for a range of offsets,
with the angle fixed at 45°



Stainless Steel - *TOSS45150*

100mm

115mm

125mm

150mm

175mm

200mm

225mm

250mm

300mm

350mm

Galvanised - *TOG45250*

200mm

250mm

300mm

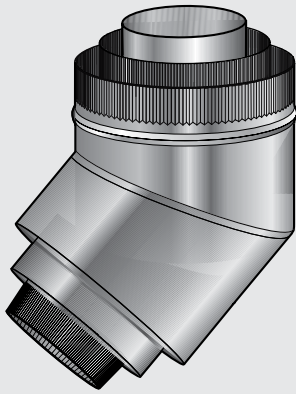
325mm

350mm

400mm

450mm

Combination Fixed Bends 45°



Double Casing - CFB45150

150/200/250mm

175/225/275mm

200/250/300mm

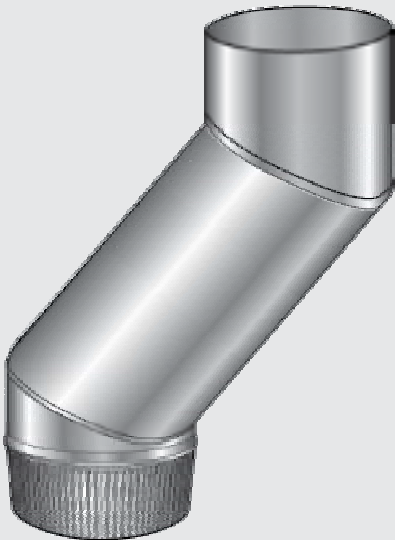
225/275/325mm

250/300/350mm

300/350/400mm

All other sizes & 30° angles to order

Fixed Offsets



Stainless Steel - FOSS45150 up to 500mm ϕ to ϕ

100mm

115mm

125mm

150mm

175mm

200mm

225mm

250mm

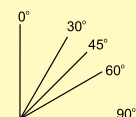
300mm

350mm

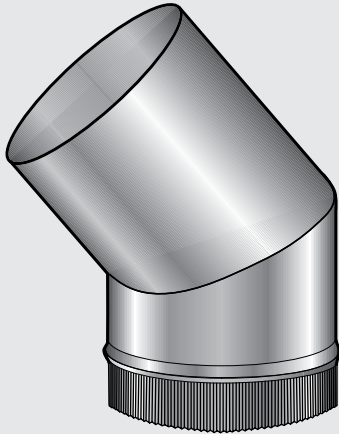
More than 500mm ϕ to ϕ

These offsets are only made to order using 30° or 45° angles.
Please specify angle and offset (centre to centre) when ordering.

Please note that all angle measurements are based off a vertical 90° take.
Please take this into consideration when placing your order



Fixed Bends 45°



Stainless Steel - FBSS45150

100mm

108mm

115mm

125mm

150mm

175mm

200mm

225mm

250mm

275mm

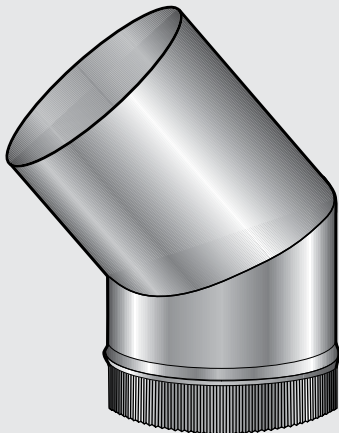
300mm

325mm

350mm

400mm

450mm



Galvanised - FBG45250

200mm

250mm

300mm

325mm

350mm

400mm

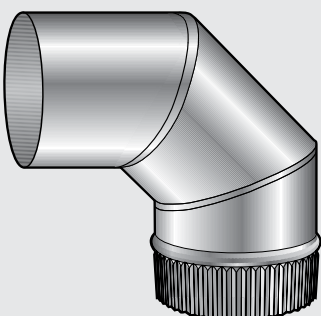
450mm

500mm

550mm

All other sizes and angles to order

Fixed Bends 90°

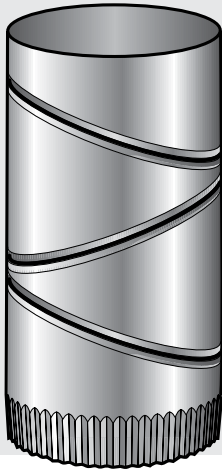


Stainless Steel - FBSS90150

100mm

125mm

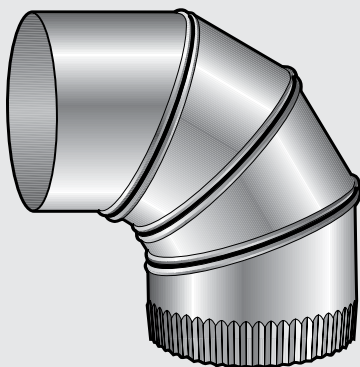
150mm



Bends adjustable from 0° to 90°

Stainless Steel - ABSS150

100mm
125mm
150mm
175mm
200mm
225mm
250mm
300mm
350mm
375mm
400mm
450mm



Bends adjustable from 0° to 90°

Galvanised - ABG150

100mm
125mm
150mm
175mm
200mm
225mm
250mm
275mm
300mm
350mm
375mm
400mm
450mm
500mm
550mm
600mm

ATTACH PRINTOUTS TO THIS PAGE

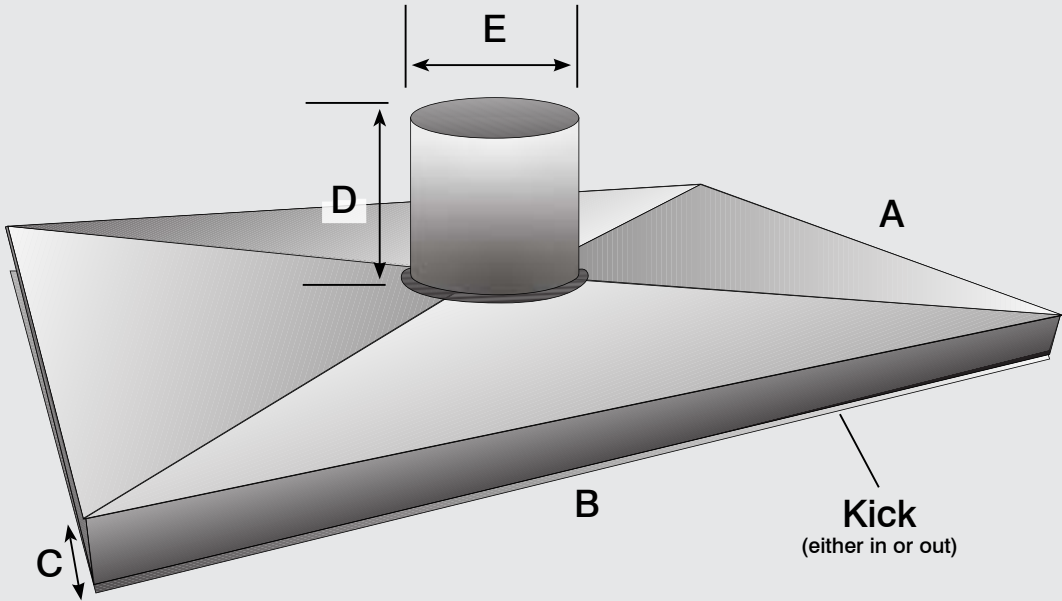


ATTACH PRINTOUTS TO THIS PAGE





Chimney Covers



Stainless Steel - CHCO1199

A+B Internal dimensions
Up to 799mm
800 - 1199mm
1200 - 1599mm
1600 - 1999mm
2000-2390mm
Large Sizes
*Out of square: additional cost

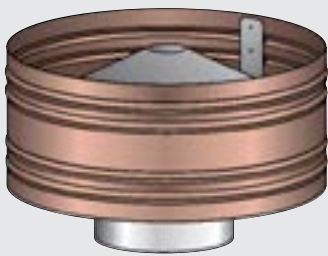
If freighting required, allow \$75.00 for packing and palletising

To calculate price, add 2 sides (A+B)
 e.g. 600(A) + 550(B) = 1150 (i.e. 800-1199)

When measuring chimney check the diagonal measurements to ensure the chimney is square. If measurements vary then the chimney is out of square and template must be supplied. Template must be plywood, MDF or similar rigid material.

Refer to heater manufacturers recommendations to ensure adequate ventilation of chimney.

Powder coating available on request



Copper Anti Down-Draught Cowls

Stainless Steel wrapped in copper

150mm

200mm

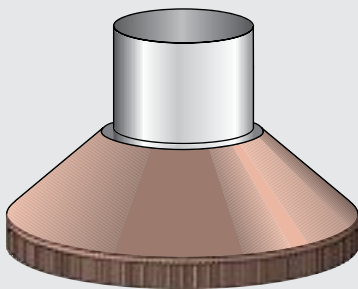
225mm

250mm

275mm

300mm

350mm



Copper Casing Covers

Stainless Steel wrapped in copper

150mm - 250mm*

200mm - 300mm*

225mm - 325mm*

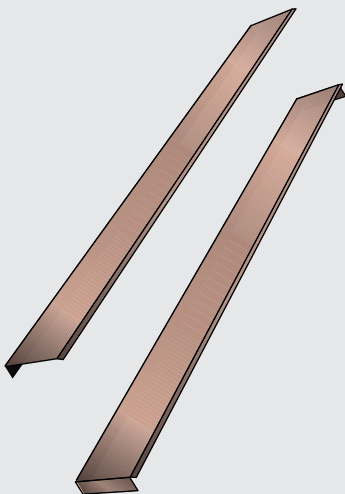
250mm - 350mm*

275mm - 375mm*

300mm - 400mm*

350mm - 450mm*

*Outer Casing / Chimney Cover Spigot Diameter



Copper Trim for Chimney Covers

Per Each

Up to 1000mm long

1000 - 1500mm long

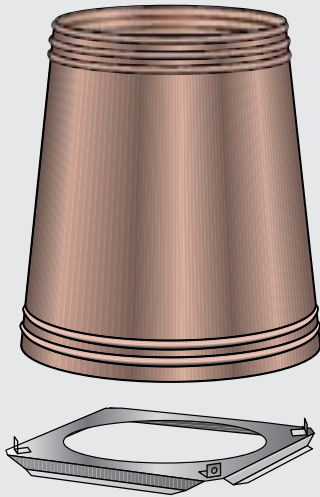
1500 - 2400mm long

Please specify required lengths when ordering

NB: Do not use copper trims on galvanised Chimney Covers

SFP will not be responsible for any damage caused by run-off onto the other metal surfaces

*Prices are subject to change, please check validity at time of order



Copper Chimney Pots

Small

To suit 150, 200, 225 Cowl Assemblies

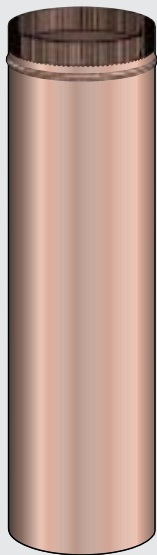
Large

To suit 150 through to 300 Cowl Assemblies

Please specify spigot size of Chimney Cover to be used with Base Plate and Chimney Pot

Price includes Base Plate. Can help reduce wind noise

If cowl assembly is required please state when ordering



Copper Outer Casings

1200mm lengths

250mm

300mm

325mm

350mm

375mm

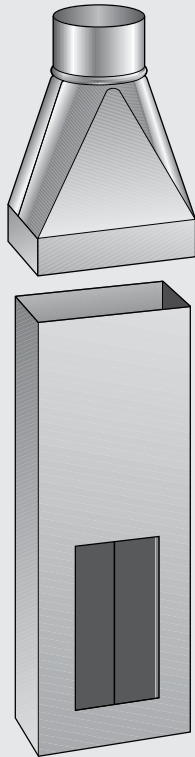
Do not use Copper Outer Casings with Galvanised Outer Casings.

SFP will not be responsible for any damage caused by run-off onto other metal surfaces.

Larger sizes available on request

*Prices are subject to change, please check validity at time of order

Coal Range Flue Components



Square to Round Transitions - SR501

Shacklock 501 to 150mm

Shacklock No.1 to 175mm

Flat-backed, to 150 or 175mm

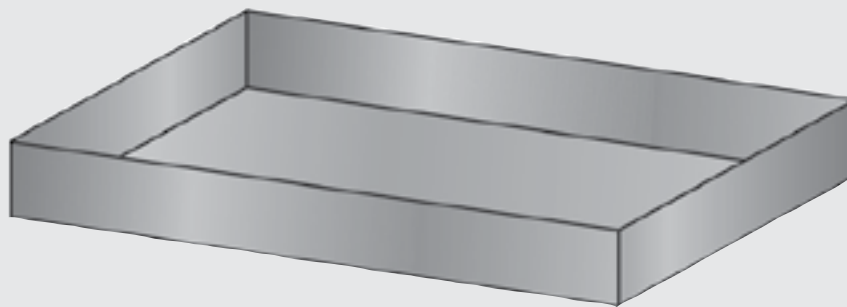
Coal Range Base Flues - CRBF

Shacklock 501 245 x 90mm

Shacklock No.1 254 x 90mm

Other sizes

Galvanised Ashpans



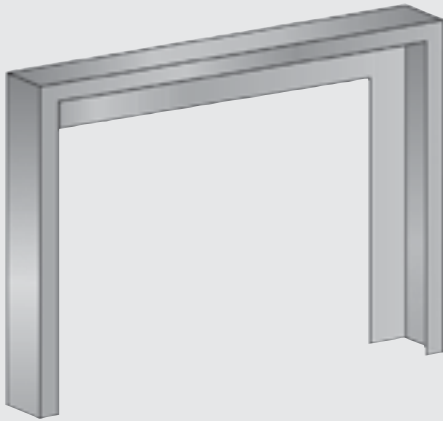
Small Rectangular - ASH1

Up to 250 x 500mm

Large Rectangular - ASH2

Larger than 250 x 500mm

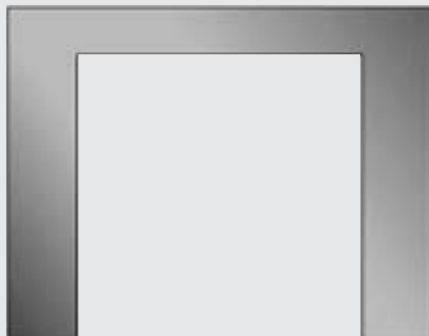
Additional cost if handle is required



Insert Spacers - FAIS

Unpainted

One piece. Specify width, height and depth when ordering



Oversize Surround / Fascias - FAOS

Unpainted up to 1200mm wide

Unpainted over 1200mm wide

One piece. Specify width, height & cut out when ordering



Mantel Shelf Heat Shields - MSHSB

Black

*Unpainted

*Differing heights, depths and widths can be manufactured. Specify dimensions when ordering

Fibreglass Door Rope



50 metre rolls - *FDRI350*

6mm

10mm

13/14mm

15/16mm

10 metre rolls - *FDRI310*

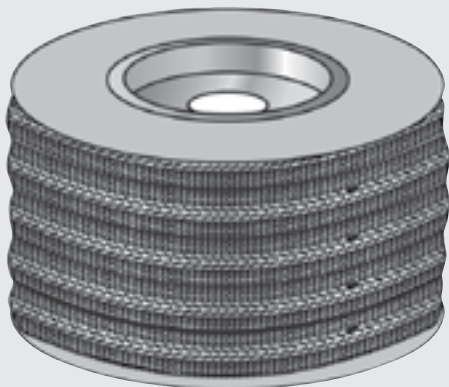
6mm

10mm

13/14mm

15/16mm

Fibreglass Ladderback Tape



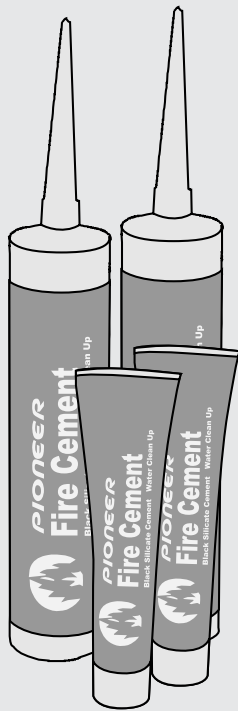
50 metre rolls - *FDRLB2550*

25mm

10 metre rolls - *FDRLB2510*

25mm

Fire Cement



Pioneer Cartridge - FCPC

300ml

Comes in a carton of 12

Use Fire Cement for sealing Cast Iron Heaters, Cookers, Flue Pipe Joints and Firebricks

Pioneer Tube - FCPT

70ml

Touch-Up Paint



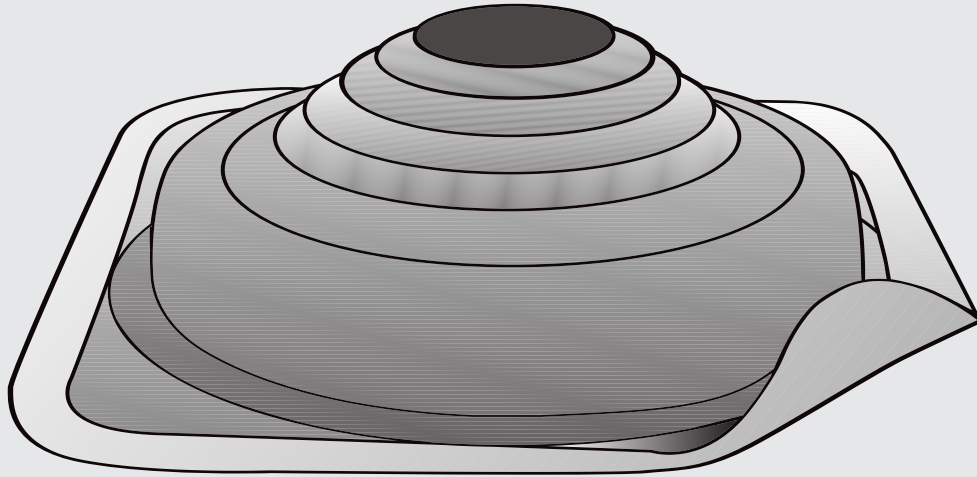
Aerosol Stovebright® - SBA_B

Metallic Black / Satin Black

Carton of 6 (price per each)

Carton of 12 (price per each)

Dangerous Goods charges and packing applies to orders less than six cans



Dektite® Flexible Flashings - DFE107B

NO.3 5-127

NO.4 75-175

NO.7 150-300

NO.8 170-355

NO.9 230-508

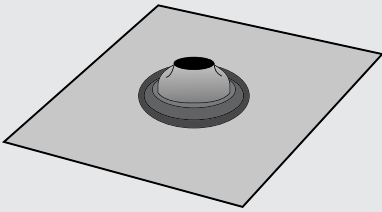
10 Packs Dektite® Flexible Flashings

NO.4 75-175 (Price per each)

NO.7 150-300 (Price per each)

5 Packs Dektite® Flexible Flashings

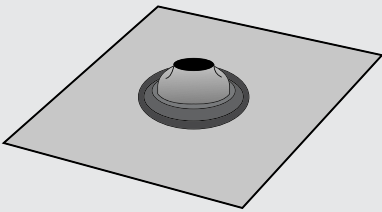
NO. 9 230-508 (Price per each)



Dektite® Lead Tile Flash - *TFL150300*

TFL 75-175

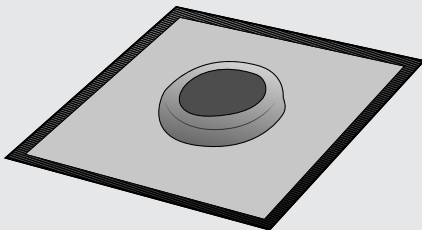
TFL 150-300



Dektite® Aluminium Tile Flash - *TFA160300*

TFA 160-300

TFA 300-450



Dektite® Soaker Flashings - *DF605*

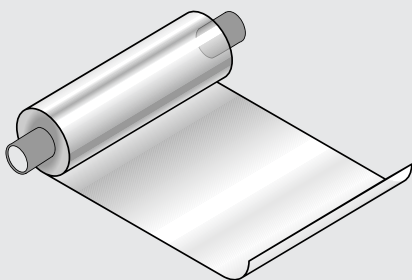
For low, medium or high pitched roofs where damming is a risk

DF 603 114-254mm

DF 605 255-410mm

DF 606 410-610mm

The Dektite® Soaker™ has a large base to reduce and divert rainwater back up that can occur on very low or high pitched roofs and deep ribbed roofing profiles

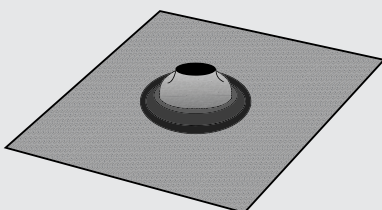


Lead Sheet - *LEADA3*

17kgm² 600mm Wide x 3 Metre Rolls

Acrylead

Plain Lead

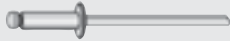


Dekform Non-Lead Tile Flashing - *DFM108GB*

A lead free alternative for when rain harvesting is in use

DFM 108BG

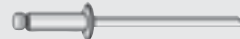
Installation Accessories



Stainless Steel Pop-Rivets - *PRSS44*

Per 500 SS 4.4

Packed in convenient screw top container



Monel Steel Pop-Rivets - *PRMS44*

Per 500 Monel 4.4

Packed in convenient screw top container



1/8" Double Ended Drills - *DED*

Packet of 10



All purpose Silicone Sealant - *SSC*

300gm Cartridges

Carton of 20 (price per each)



Tek Screws - *TS10-16*

10-16 x 16 CL4

Per Packet of 100

Includes free 5/16 socket bit



Ceramic Screws - *CSS*

Packets of 4x spacers and screws

Minimum order quantity 10 when ordered alone

ATTACH PRINTOUTS TO THIS PAGE



ATTACH PRINTOUTS TO THIS PAGE




ATTACH PRINTOUTS TO THIS PAGE







 09 274 4421

 info@sfp.co.nz

 www.sfp.co.nz

 26 Stonedon Drive, East Tamaki, Auckland. NZ

PO Box 58-286, Botany, Manukau, Auckland 2163